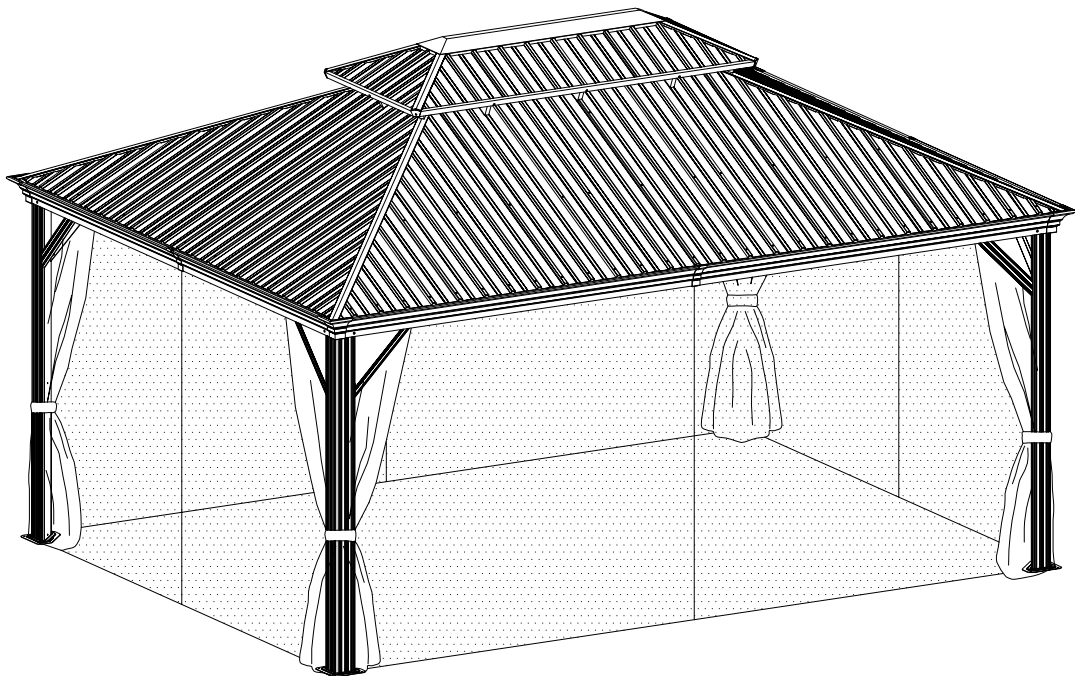


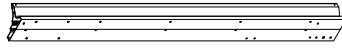
3.65 x 4.85 M

□ □ □ □ □ □ □ □ XWG - 216MS □ □ □ □ □ □ □ □

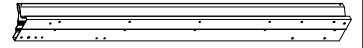




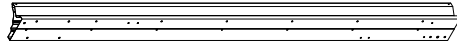
A 4x



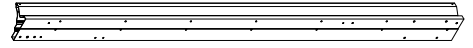
B 2x



B1 2x



B2 2x



B3 2x



C 2x



C1 2x



C2 2x



C3 2x



D 2x



D1 2x



D2 2x



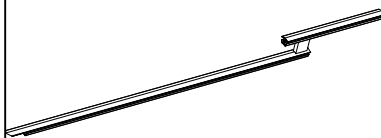
D3 2x



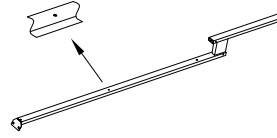
D4 2x



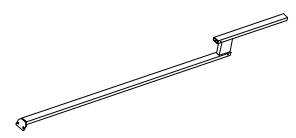
D5 2x



E 4x



E1 4x



E2 4x



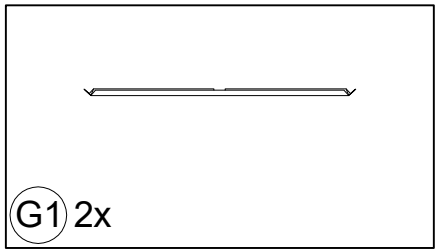
F 2x



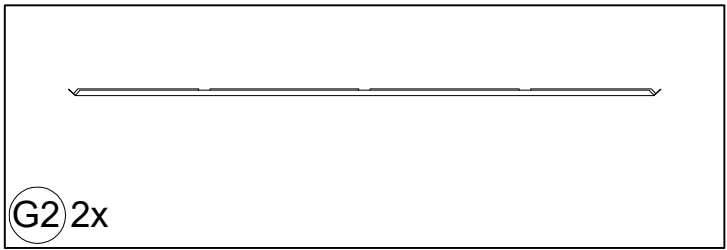
F1 4x



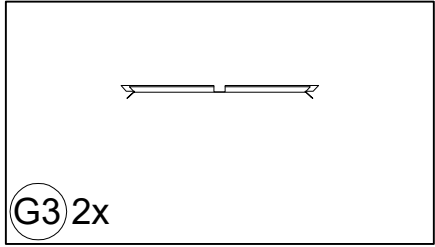
F2 4x



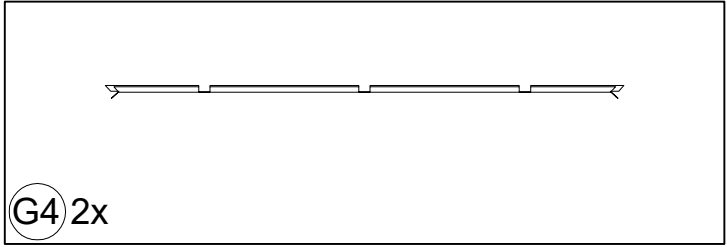
G1 2x



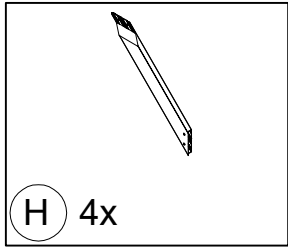
G2 2x



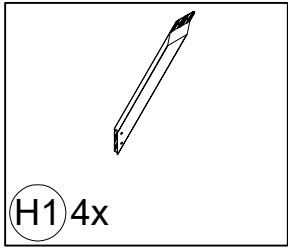
G3 2x



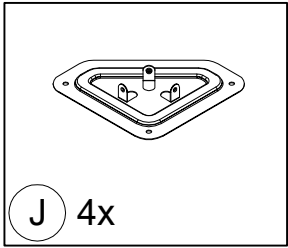
G4 2x



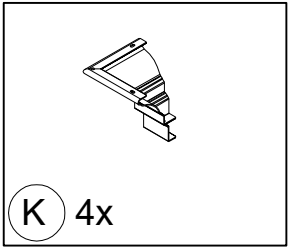
H 4x



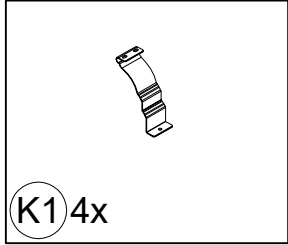
H1 4x



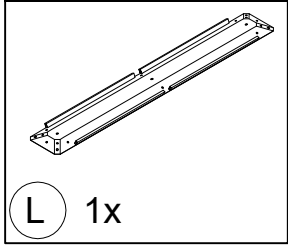
J 4x



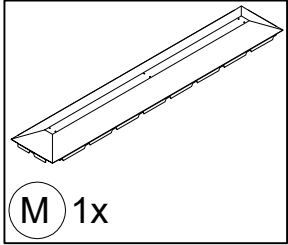
K 4x



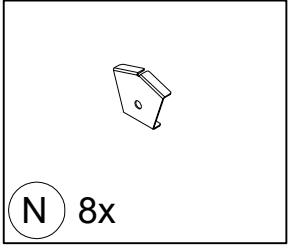
K1 4x



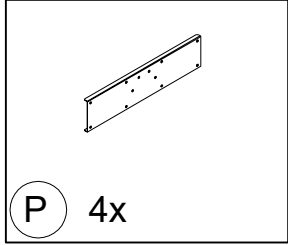
L 1x



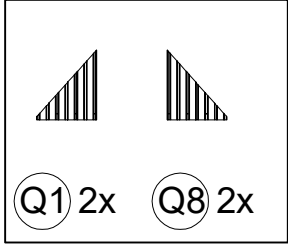
M 1x



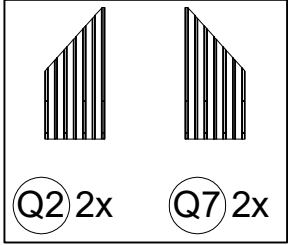
N 8x



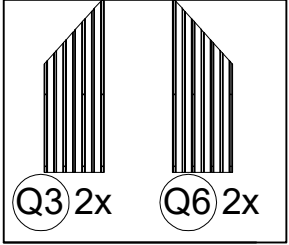
P 4x



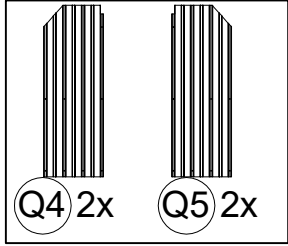
Q1 2x Q8 2x



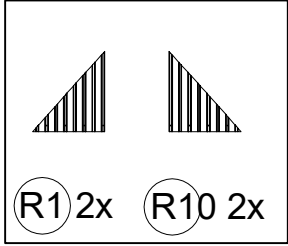
Q2 2x Q7 2x



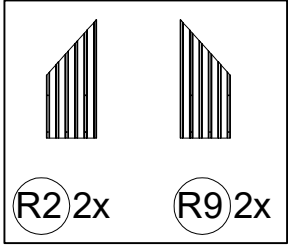
Q3 2x Q6 2x



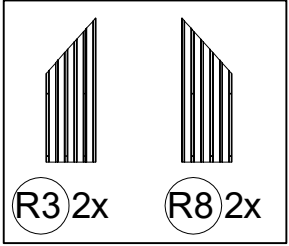
Q4 2x Q5 2x



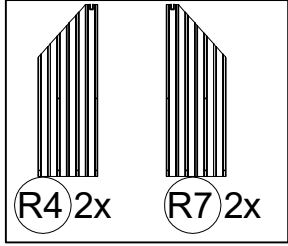
R1 2x R10 2x



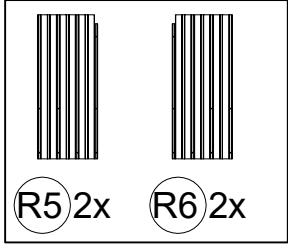
R2 2x R9 2x



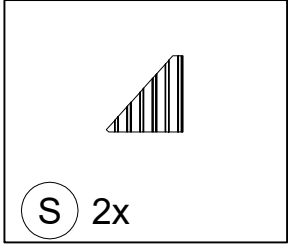
R3 2x R8 2x



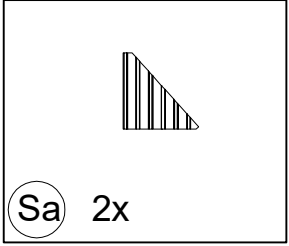
R4 2x R7 2x



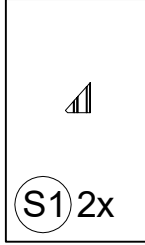
R5 2x R6 2x



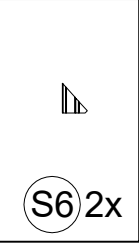
S 2x



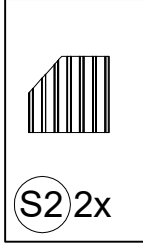
Sa 2x



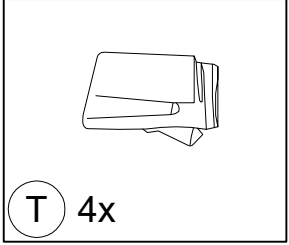
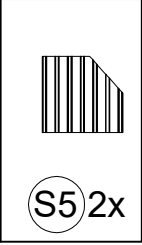
S1 2x S6 2x



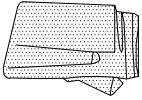


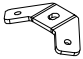
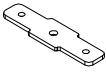
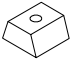
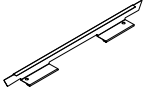



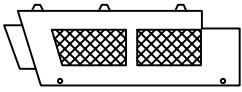
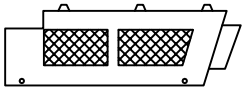
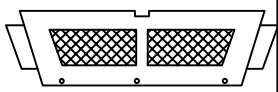







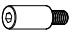

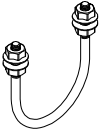


S2 2x S5 2x



S3 2x S4 2x



T 4x

 T1 4x	 U 128x	 V 4x	 W 4x
 W1 6x	 Y 140x	 Z 72x	 Z1 16x
 1x  1x	 V1 2x	 V2 2x	 V3 2x
 M6x15 1 274x	 M6x23 2 88x	 M6x25 3 5x	 ST 4.8x12 4 24x
 5 2x	 M6x42 6 8x	 M6x47 7 40x	 8 16x
 9 12x	 10 1x	 M6x10 11 12x	 1x

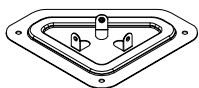


<1>

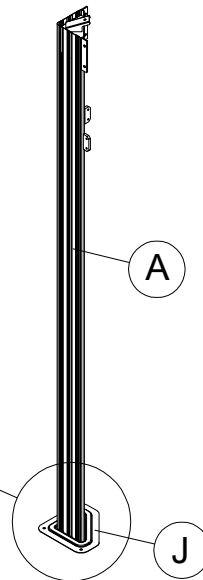
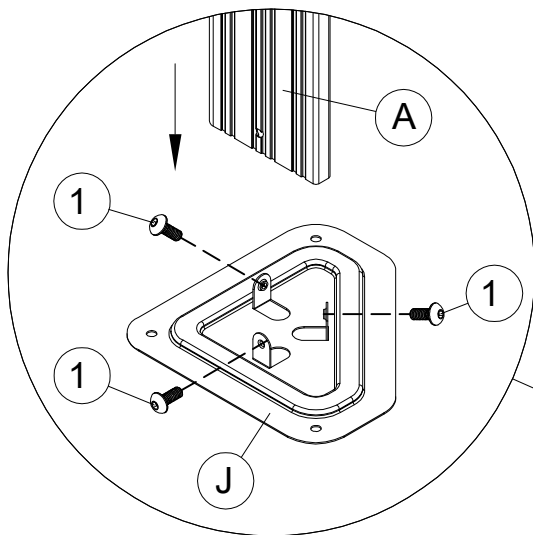
A 4x

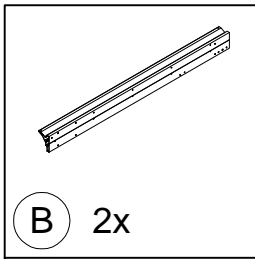


1 12x M6x15

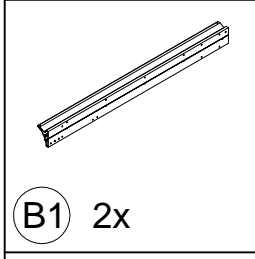


J 4x

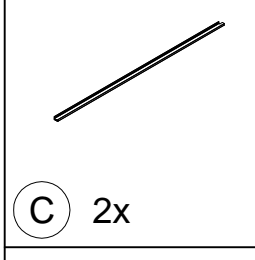




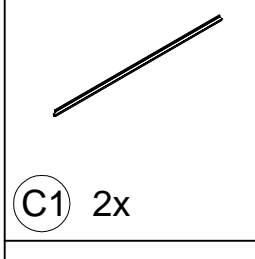
B 2x



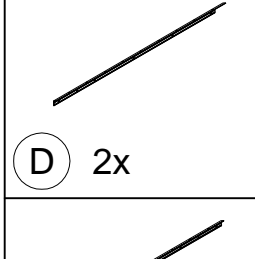
B1 2x



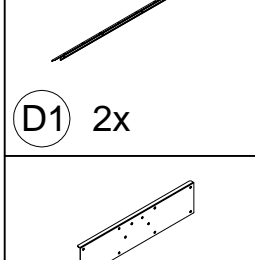
C 2x



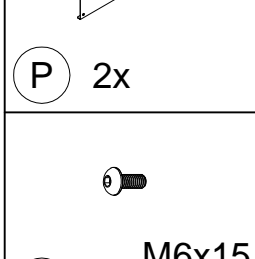
C1 2x



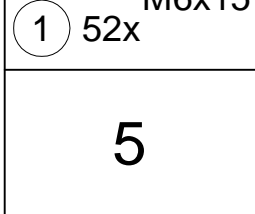
D 2x



D1 2x



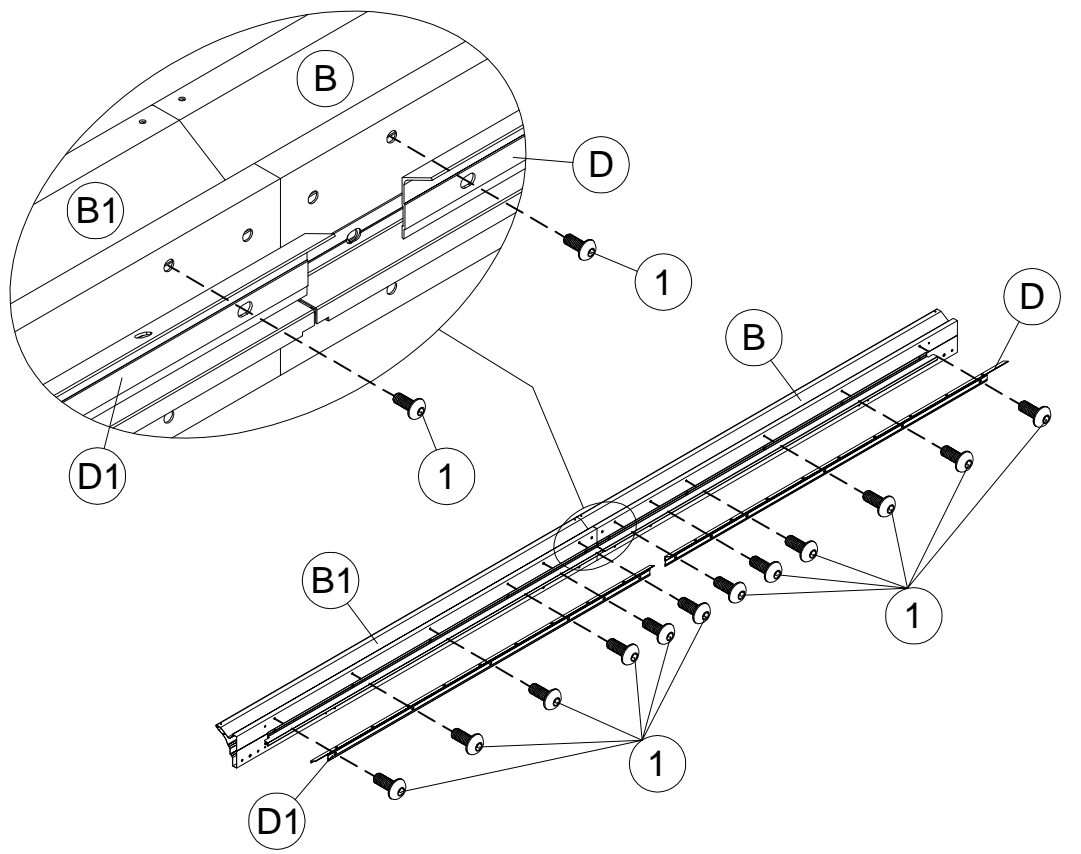
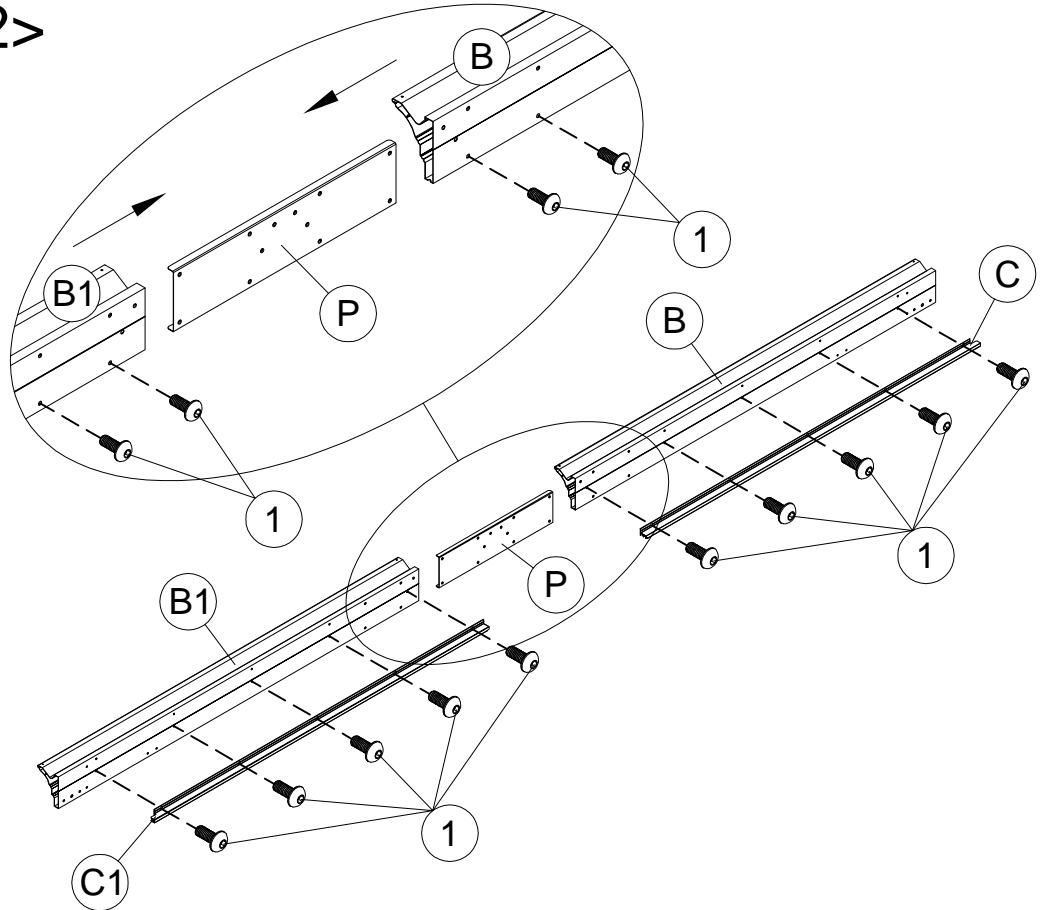
P 2x

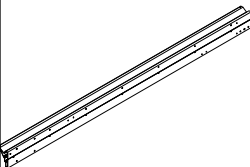
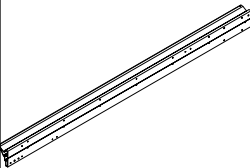
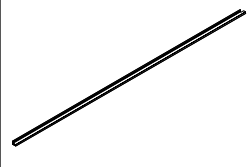
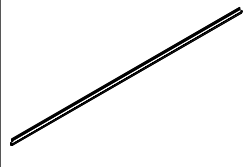
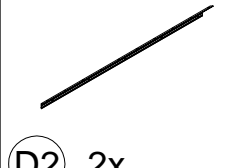
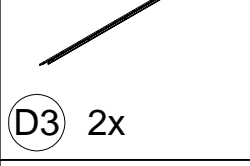
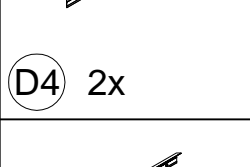
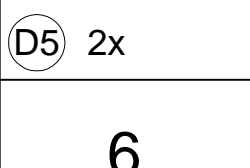


1 52x M6x15

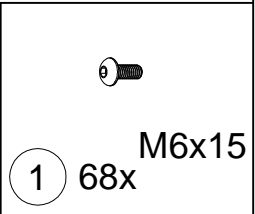
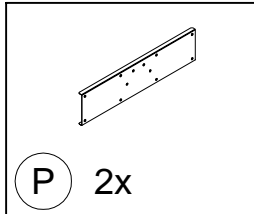
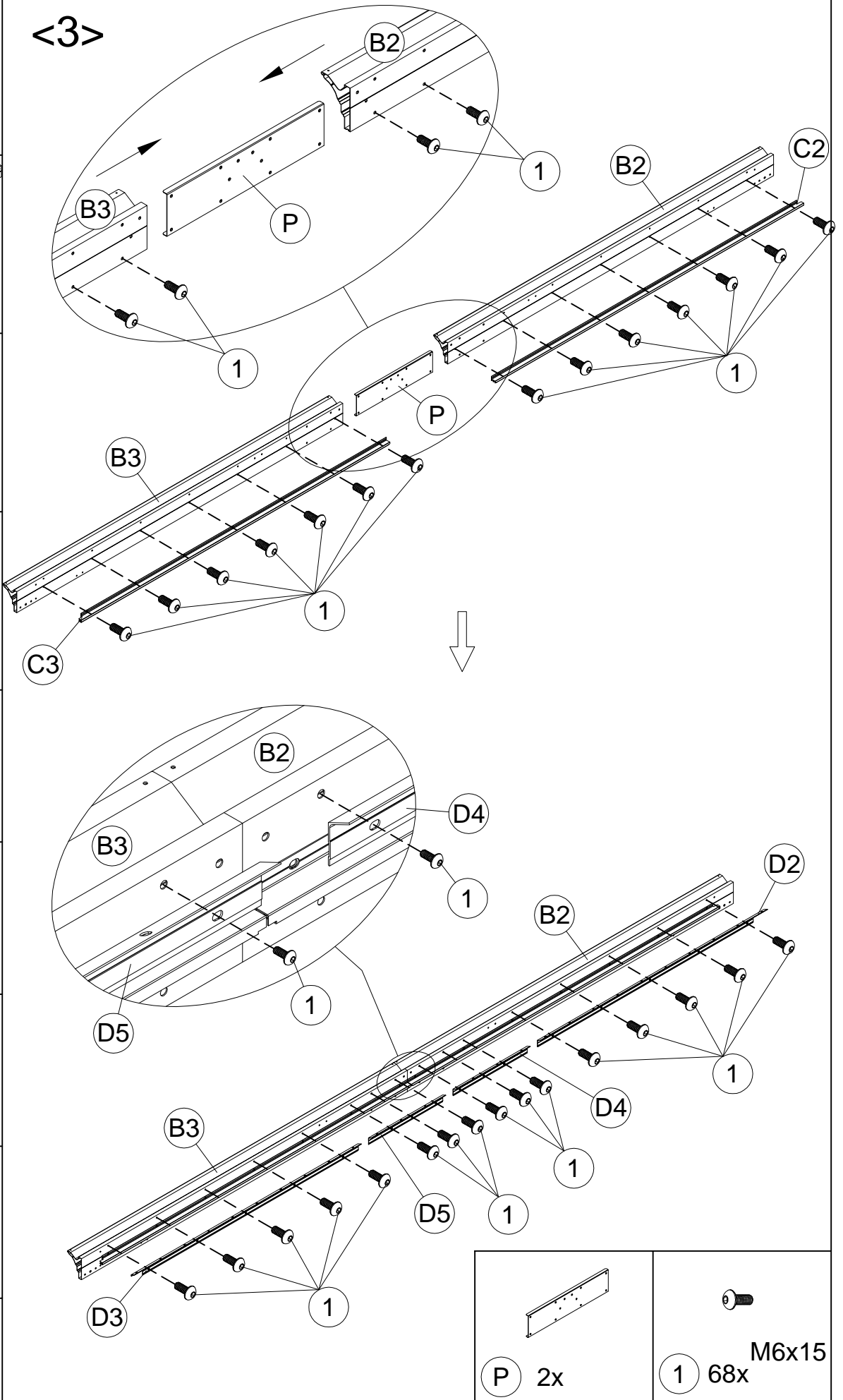
5

<2>



-  **B2** 2x
-  **B3** 2x
-  **C2** 2x
-  **C3** 2x
-  **D2** 2x
-  **D3** 2x
-  **D4** 2x
-  **D5** 2x
- 6**

<3>



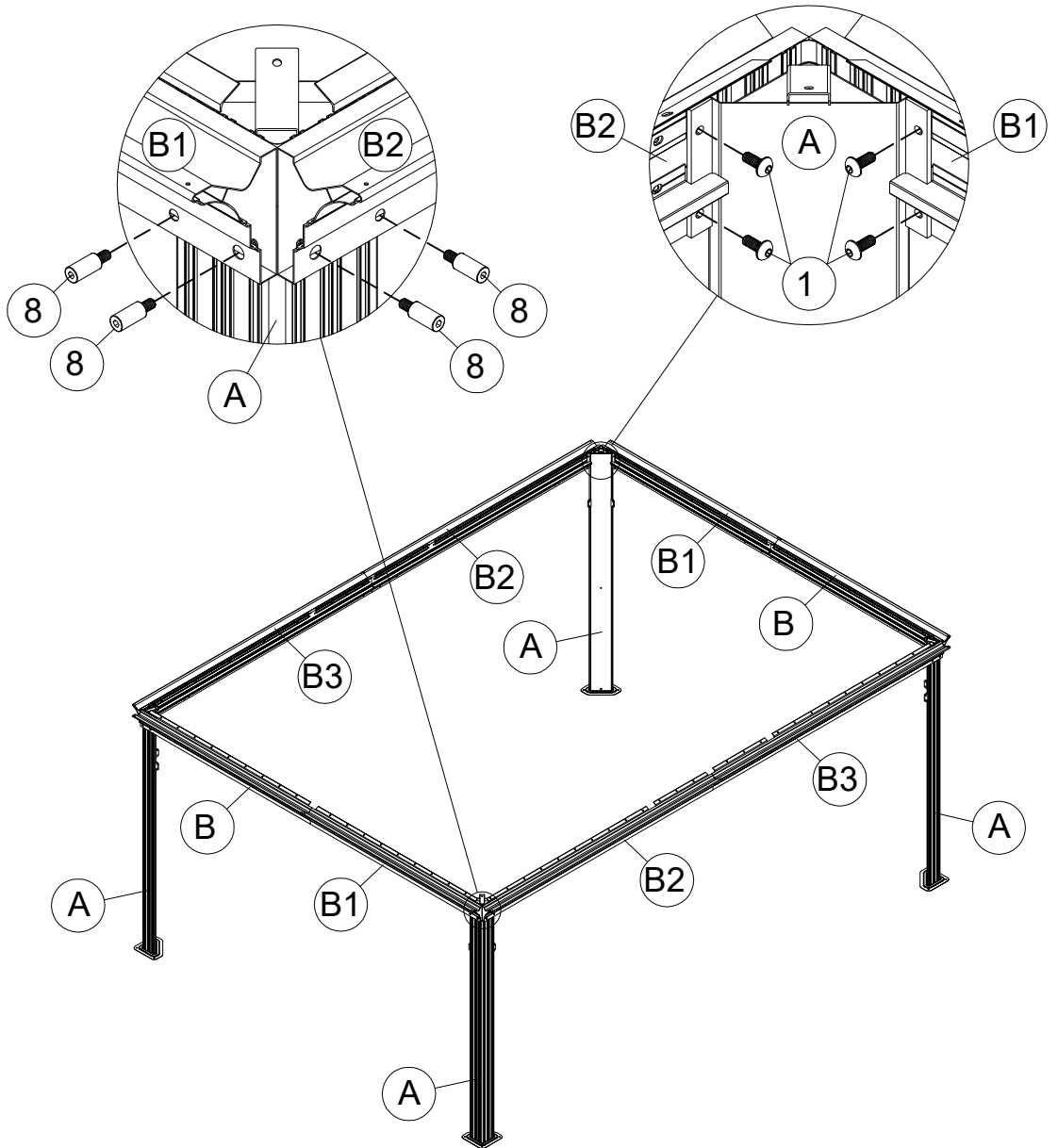


<4>

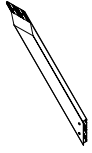
1 16x M6x15



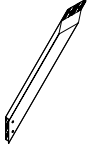
8 16x



7



H 4x

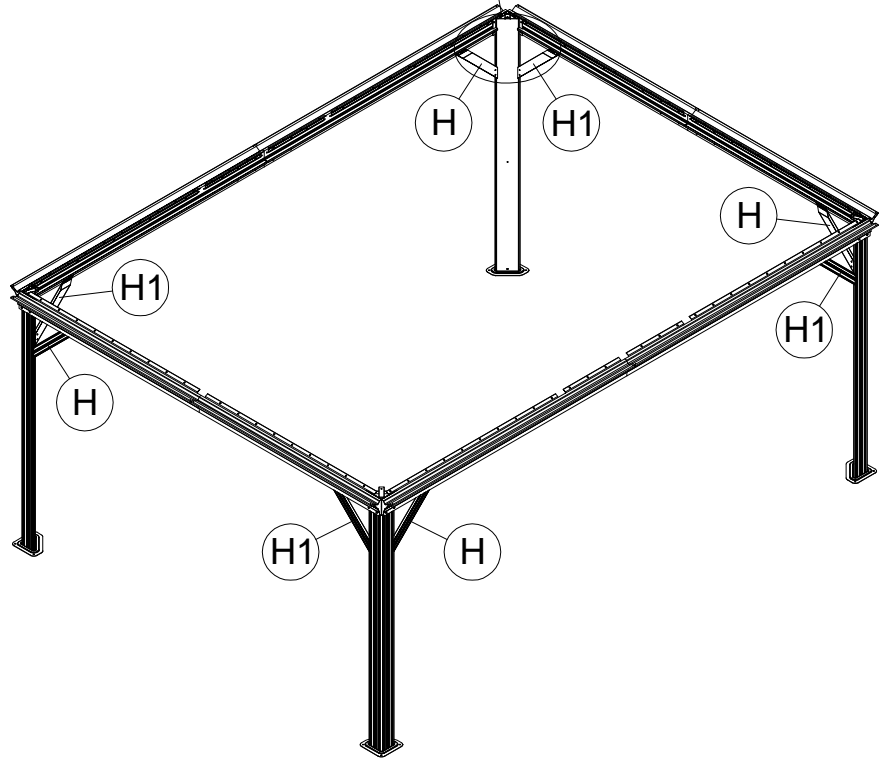
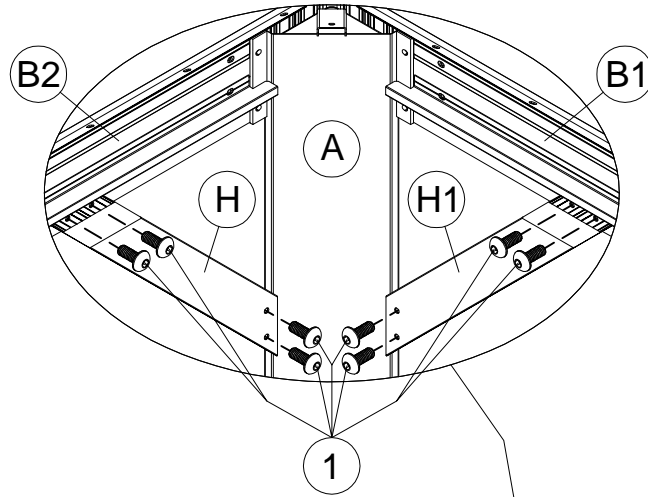


H1 4x

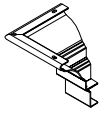


1 32x M6x15

<5>



8



(K) 4x



(K1) 4x



(U) 128x



(V) 4x

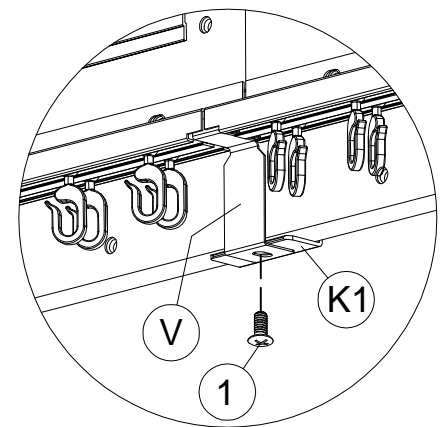
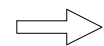
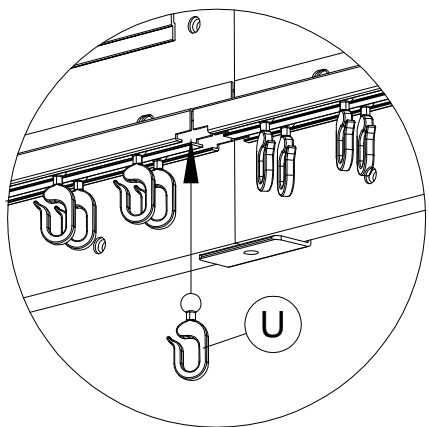
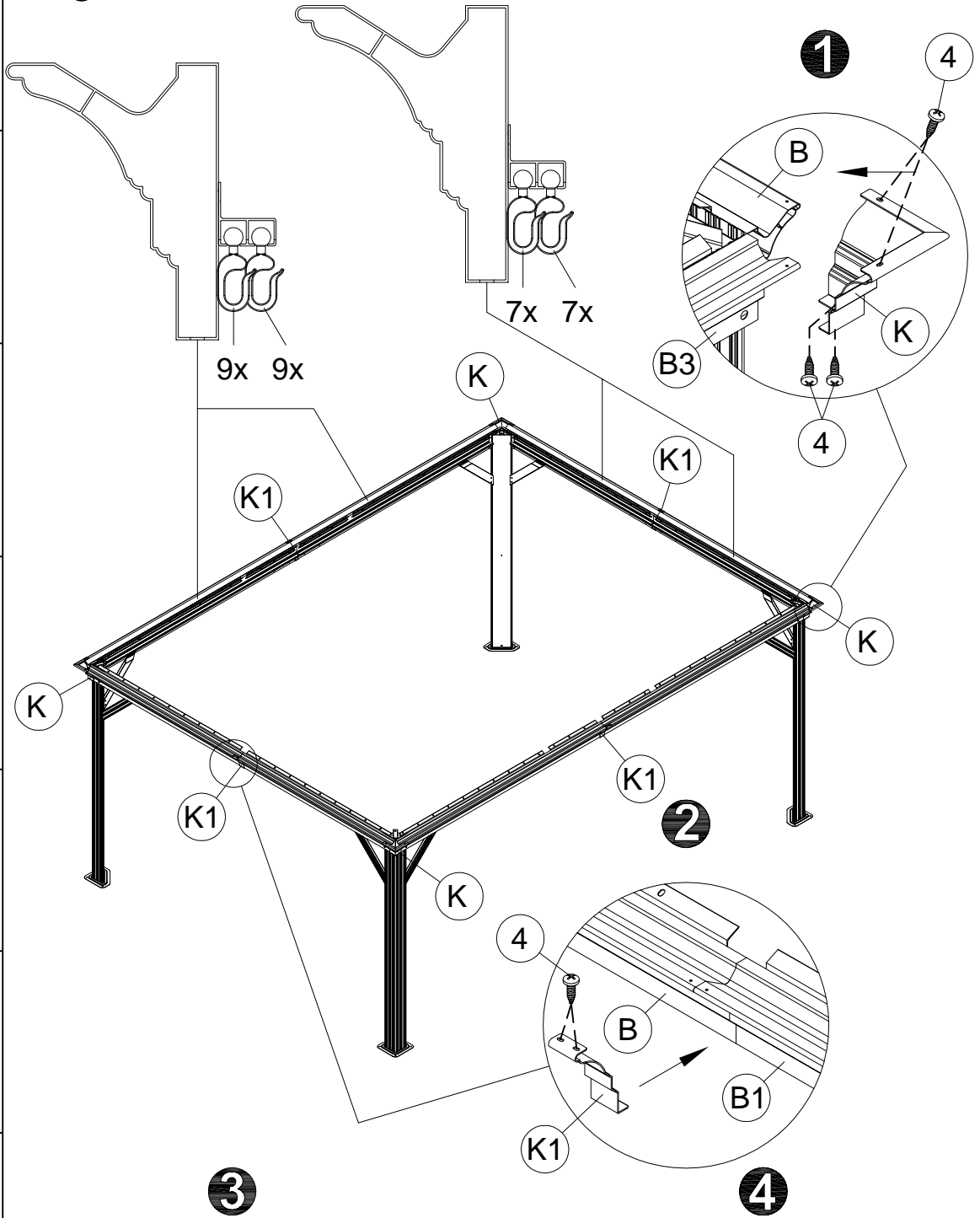


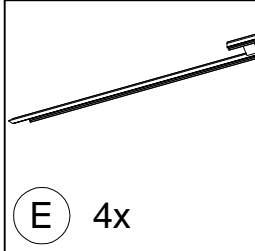
(1) 4x M6x16



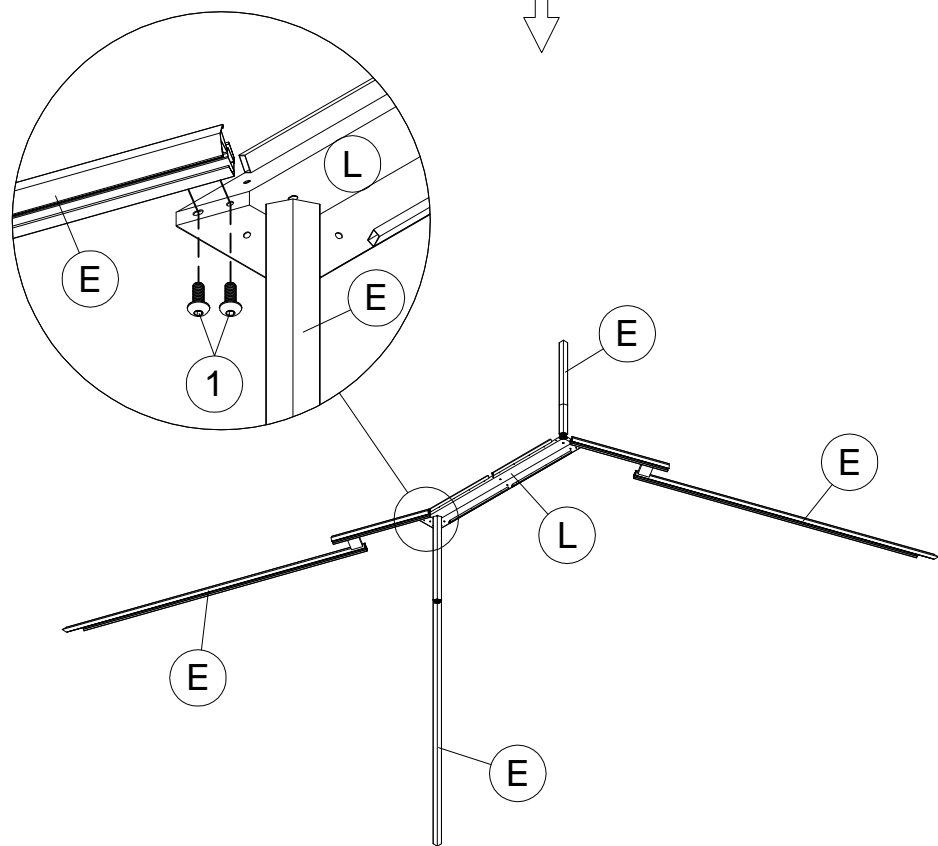
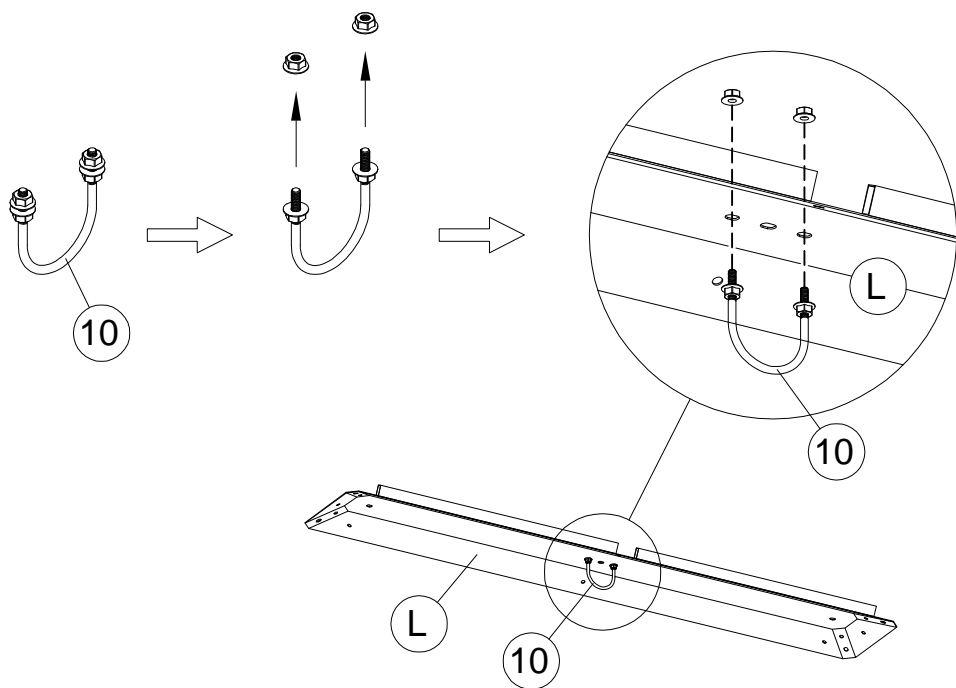
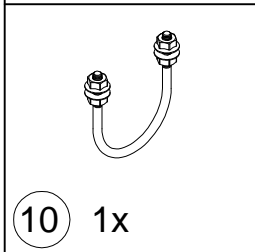
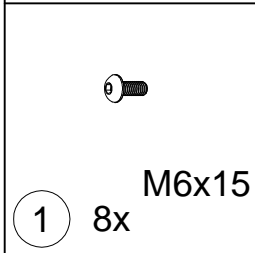
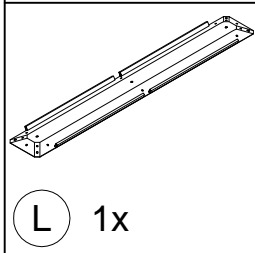
(4) 24x ST4.8x12

<6>





<7>



10

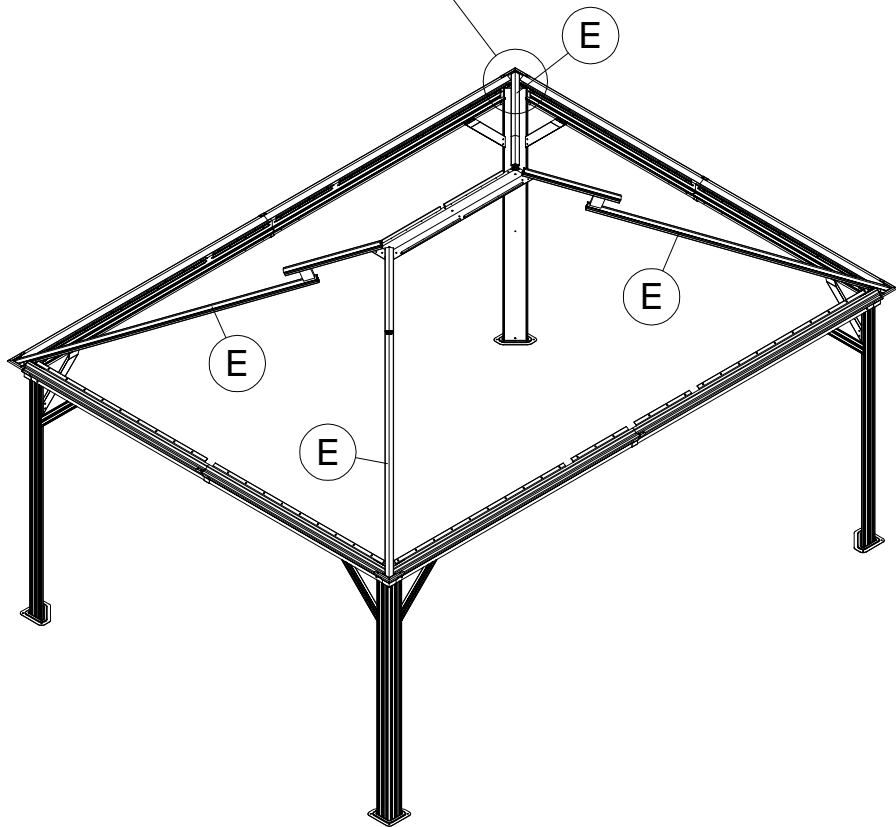
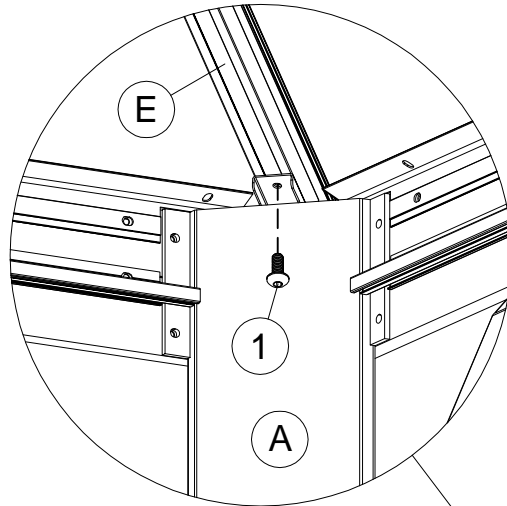


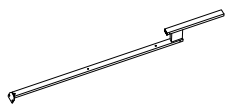
<8>

1

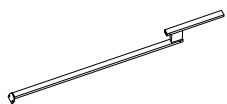
4x

M6x15





E1 4x



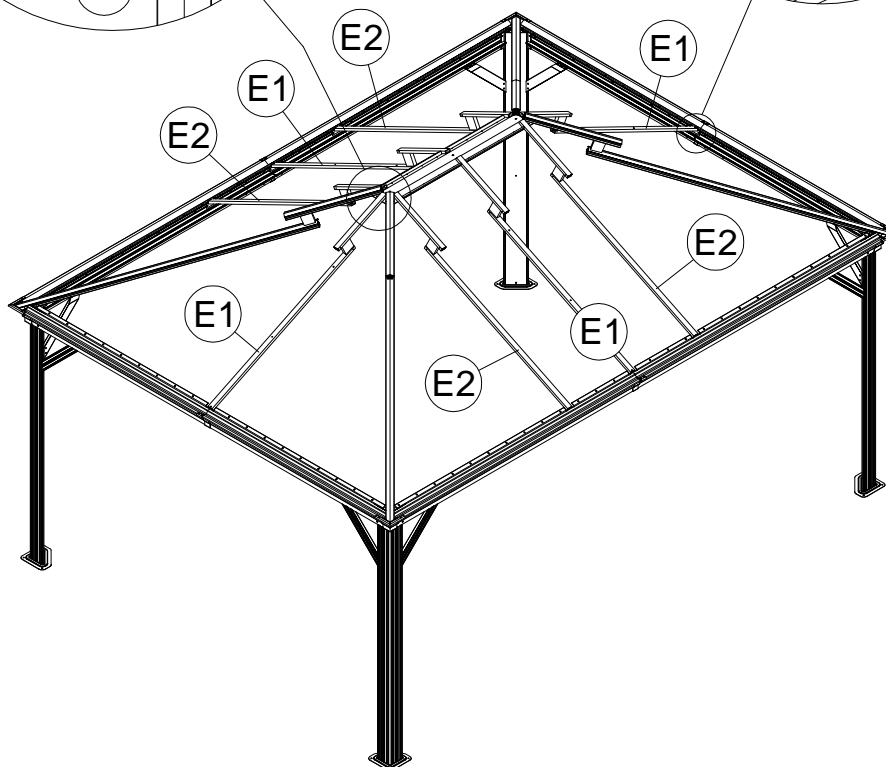
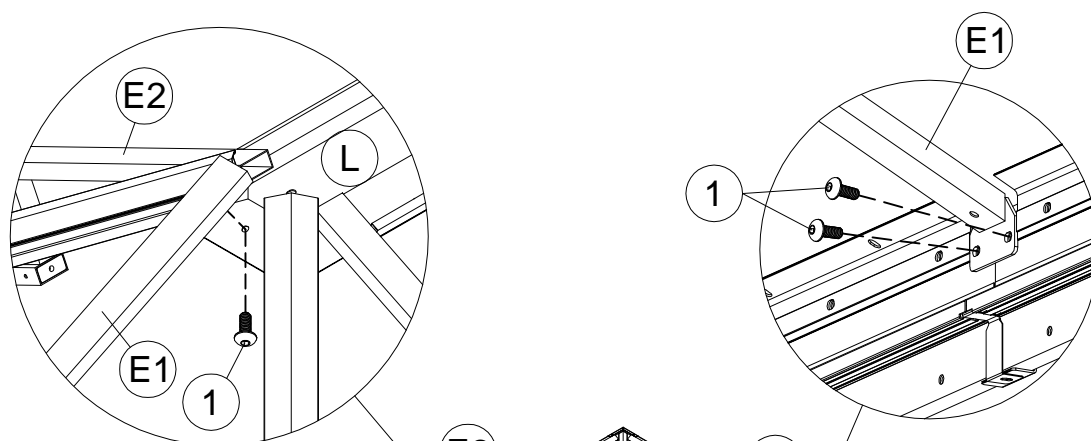
E2 4x

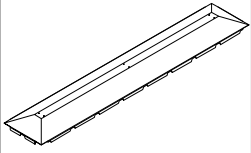


M6x15

1 24x

<9>





<10>

(M) 1x

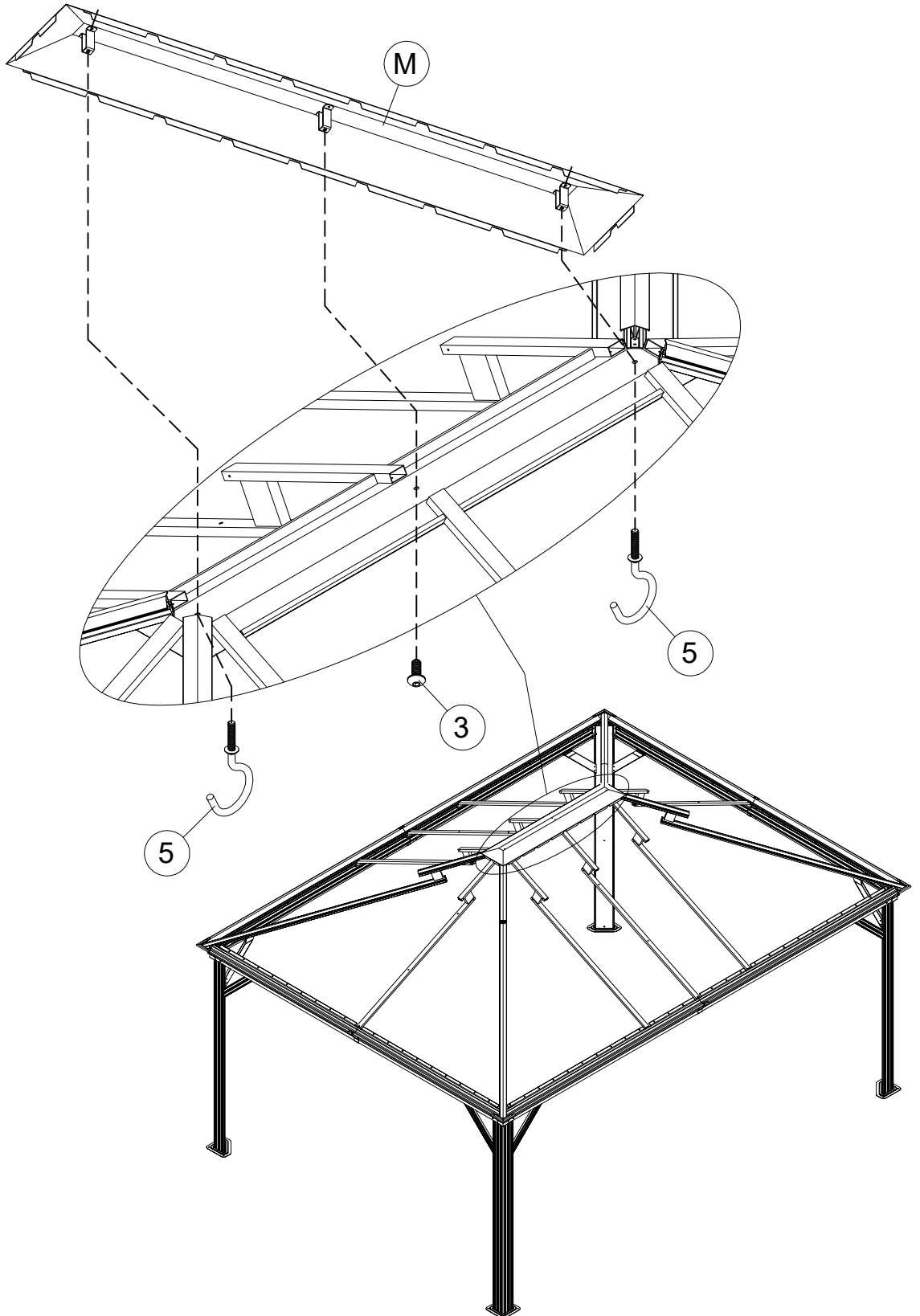


(5) 2x



(3) 1x

M6x25





<11>

G3 2x

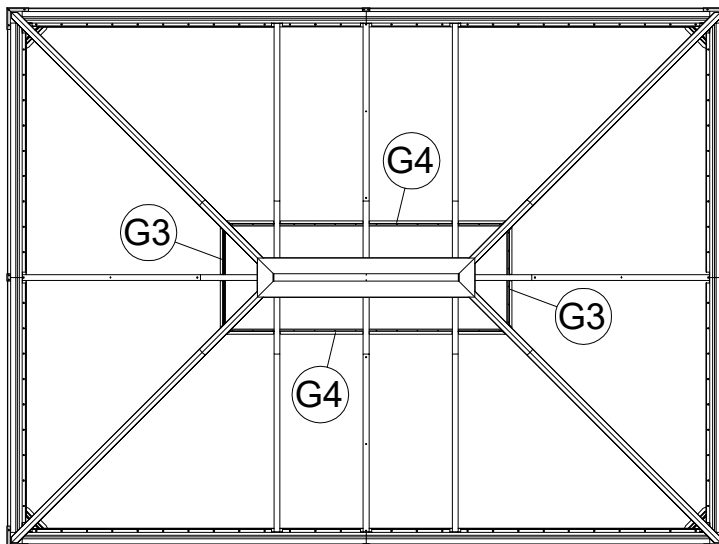
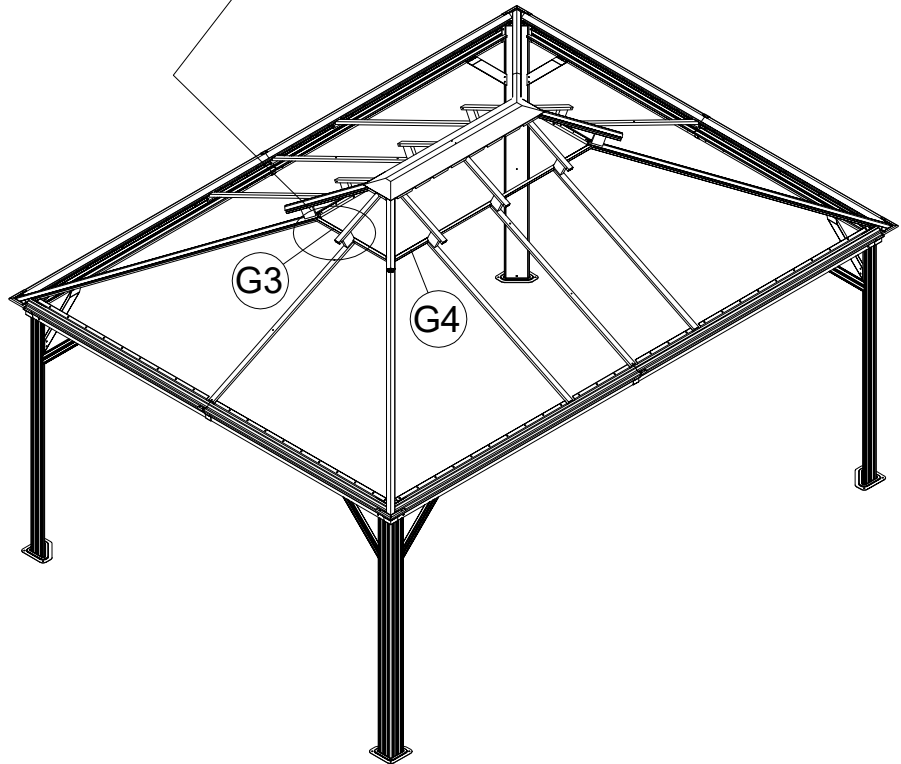
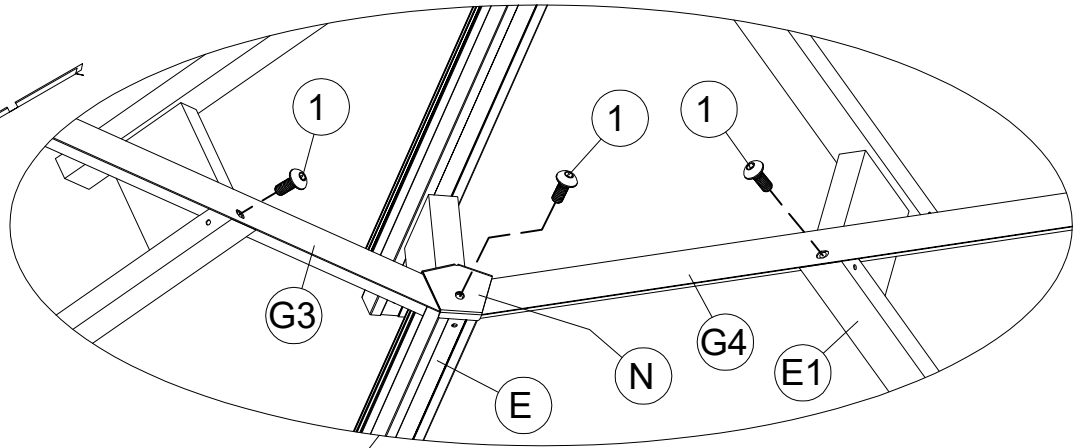
G4 2x



N 4x



1 12x M6x15



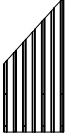
<12>



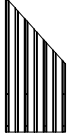
Q1 2x



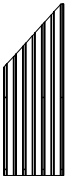
Q8 2x



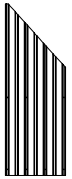
Q2 2x



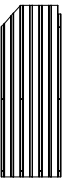
Q7 2x



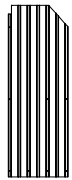
Q3 2x



Q6 2x



Q4 2x



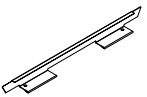
Q5 2x



S 2x



Sa 2x

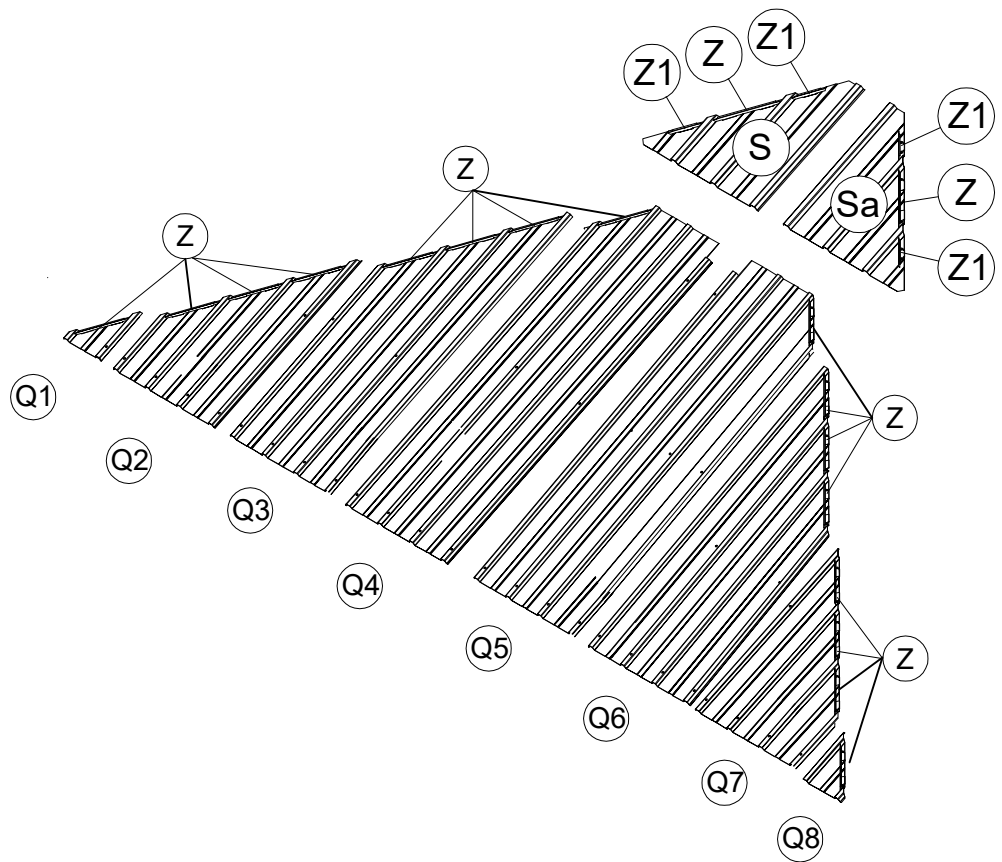
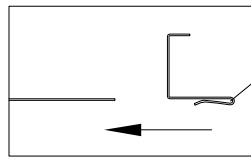
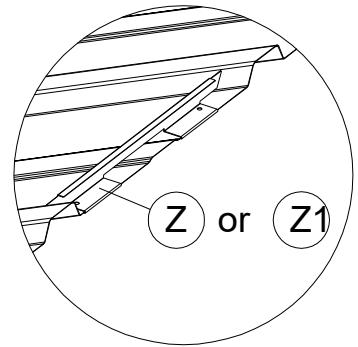
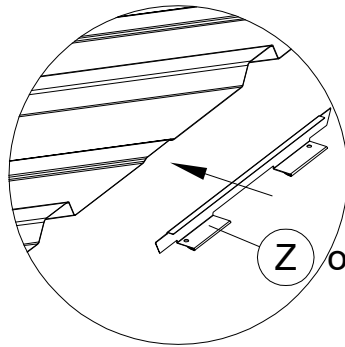


Z 36x



Z1 8x

15



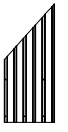
<13>



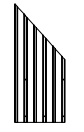
R1 2x



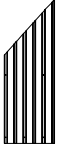
R10 2x



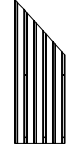
R2 2x



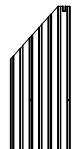
R9 2x



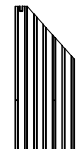
R3 2x



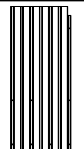
R8 2x



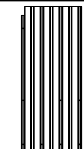
R4 2x



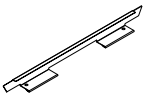
R7 2x



R5 2x



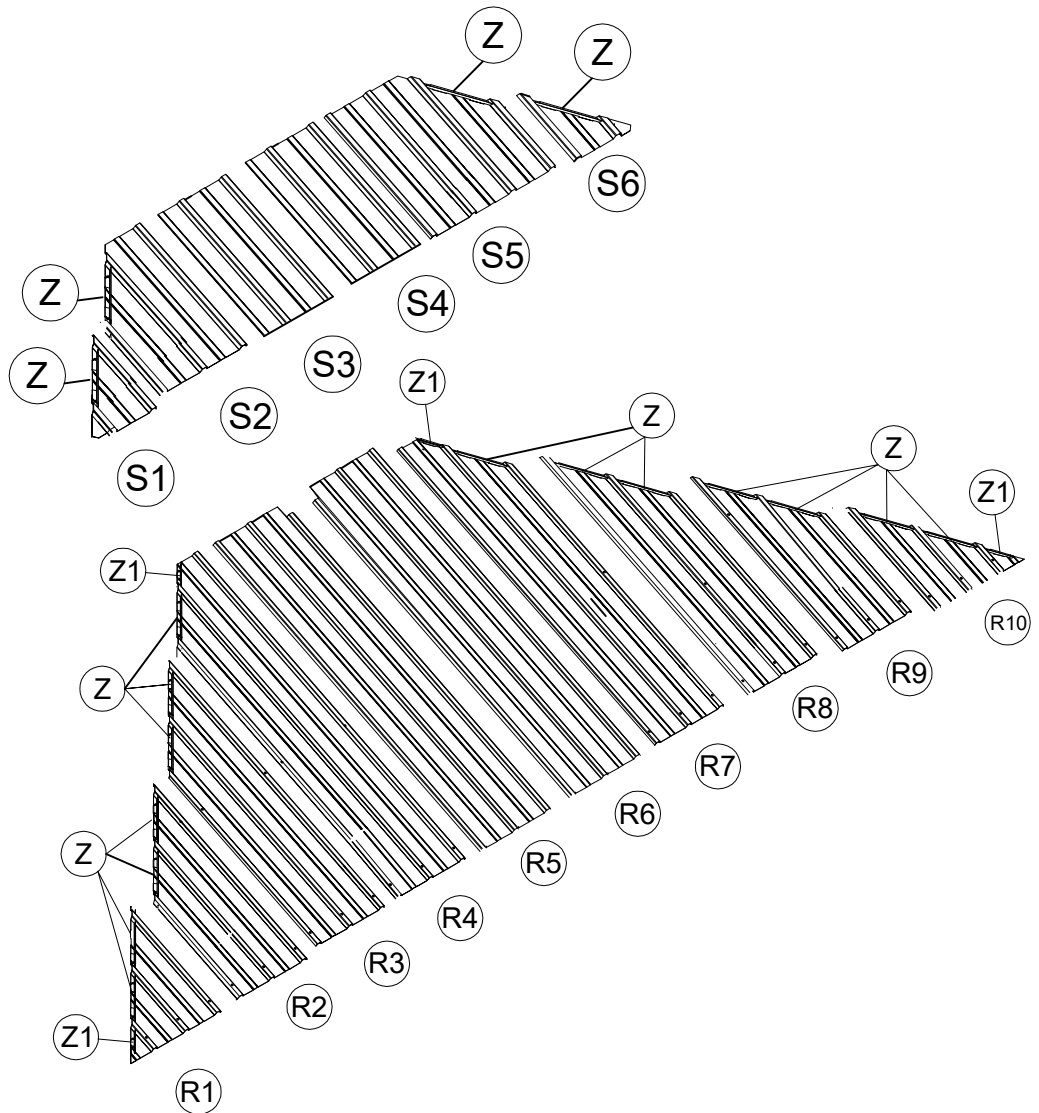
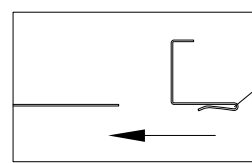
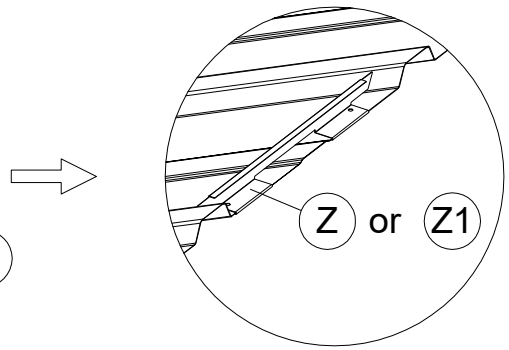
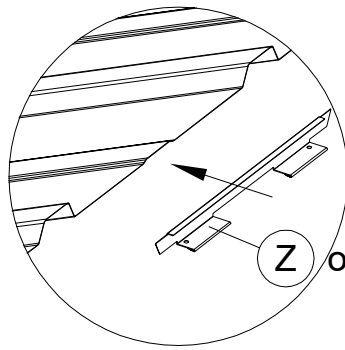
R6 2x



Z 36x



Z1 8x



16



S1 2x



S6 2x



S2 2x



S5 2x

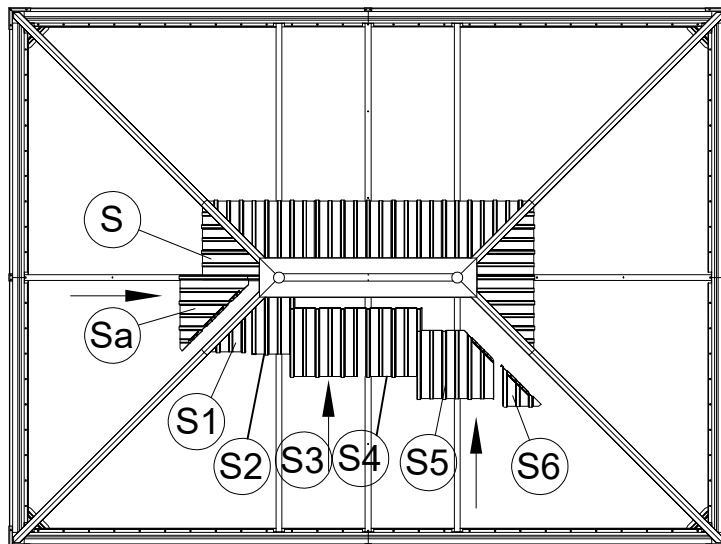
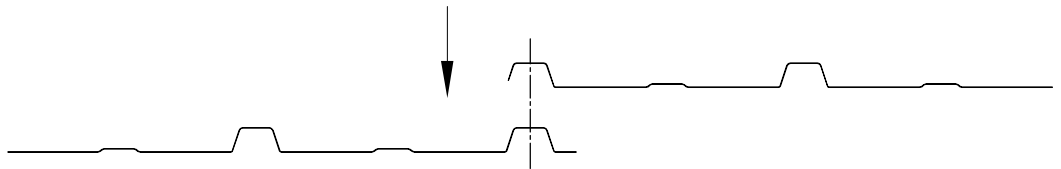
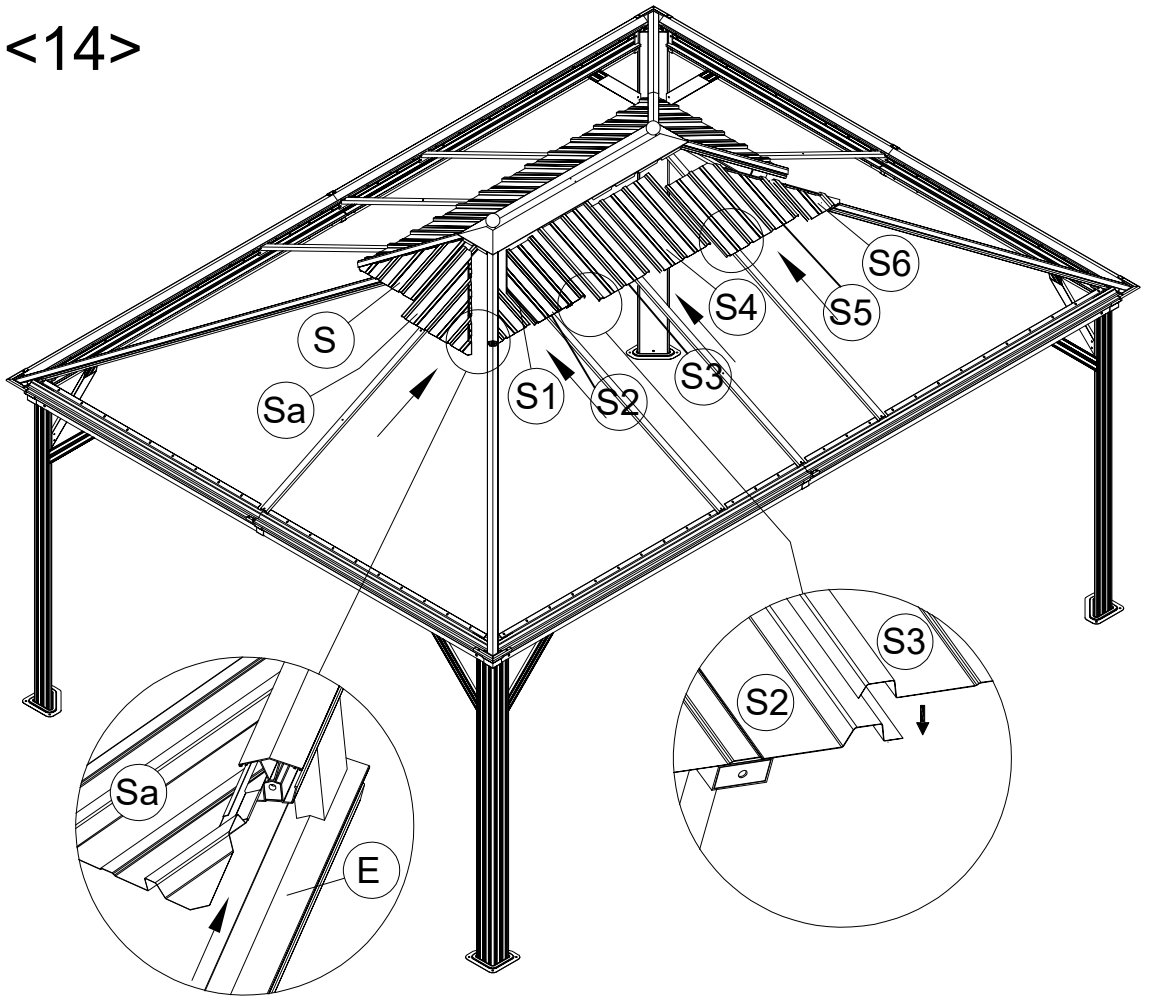


S3 2x



S4 2x

<14>



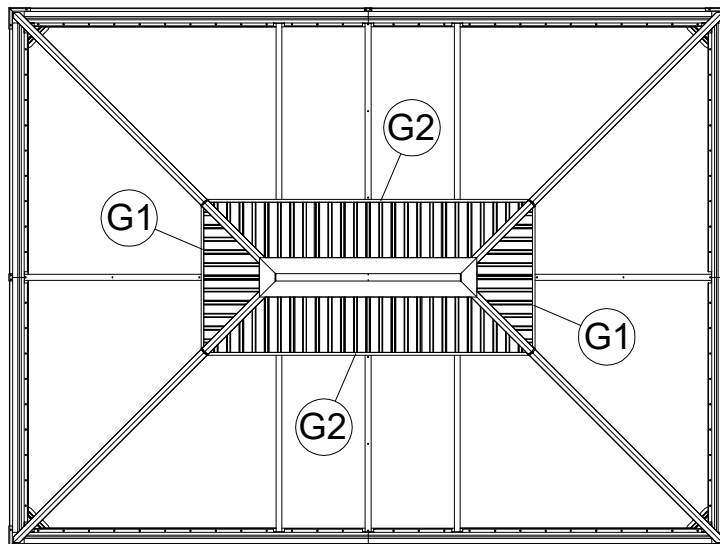
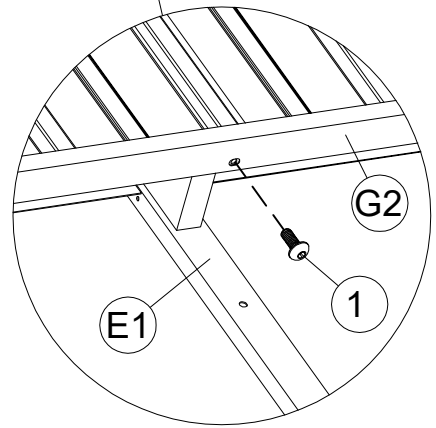
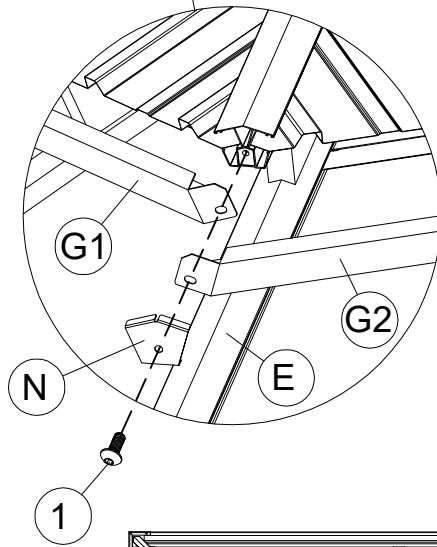
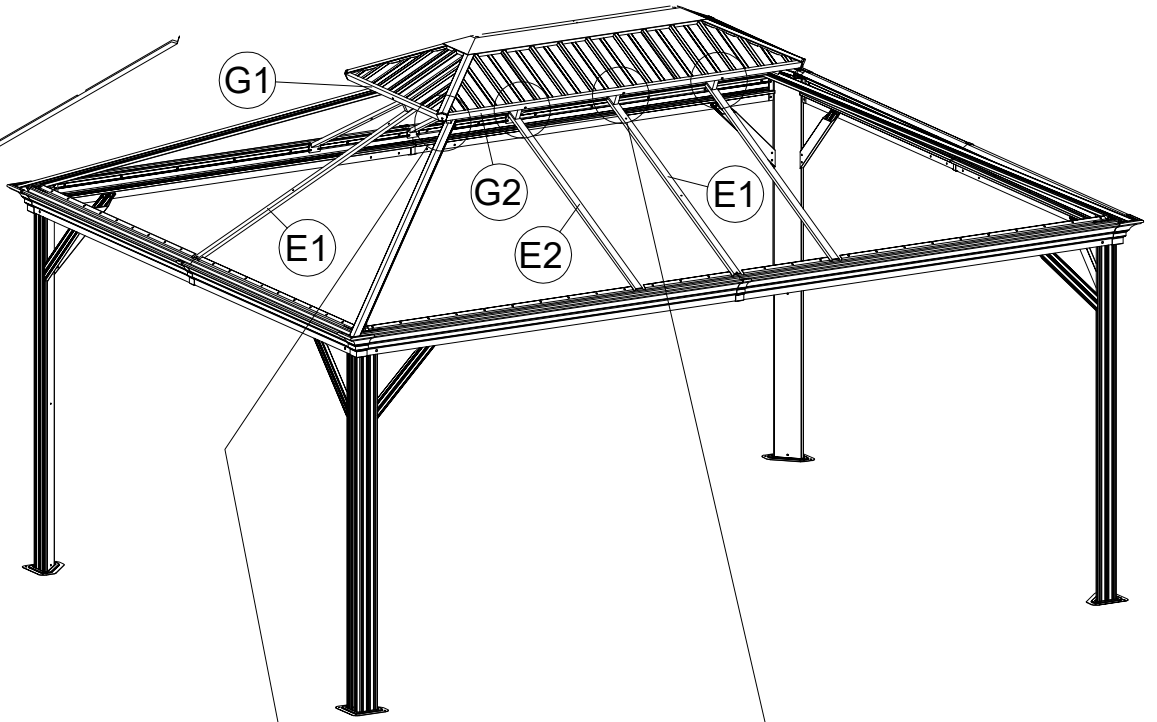
<15>

G1 2x

G2 2x

N 4x

1 12x M6x15



<16>

F 2x

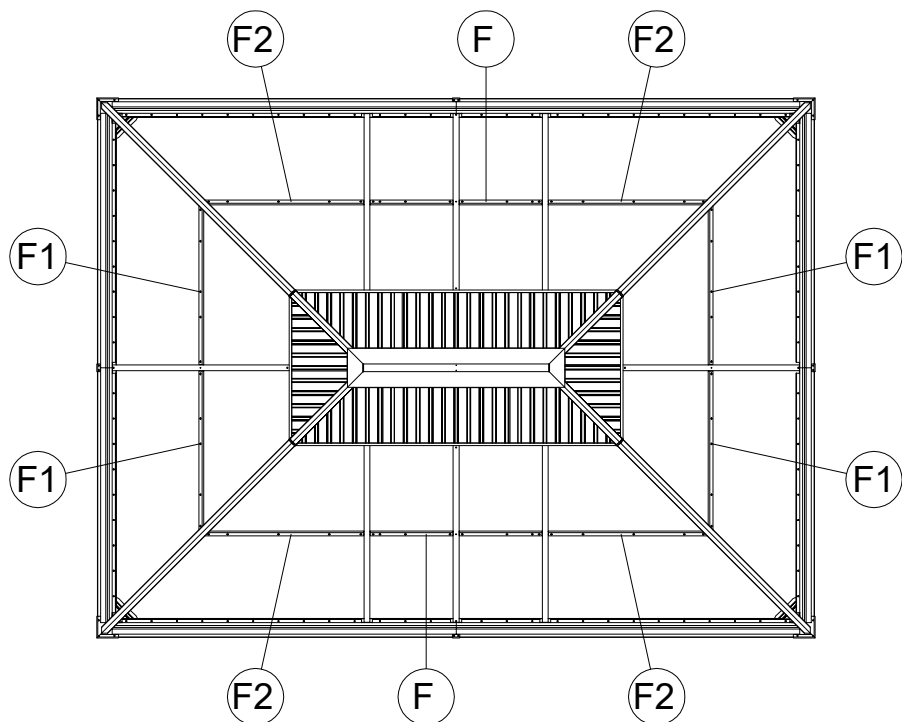
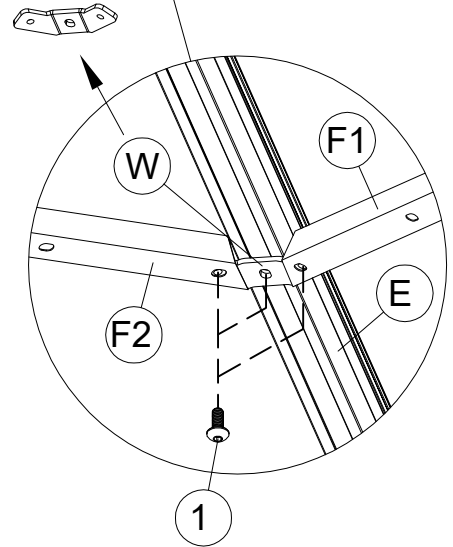
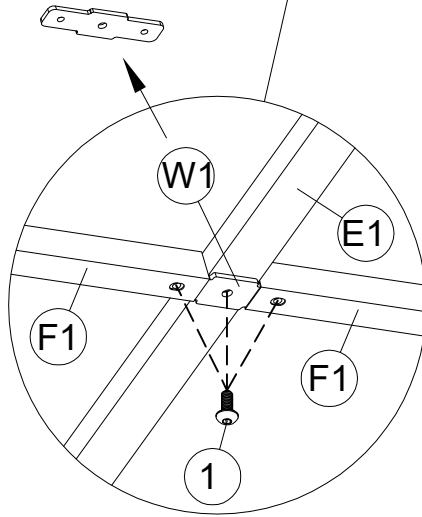
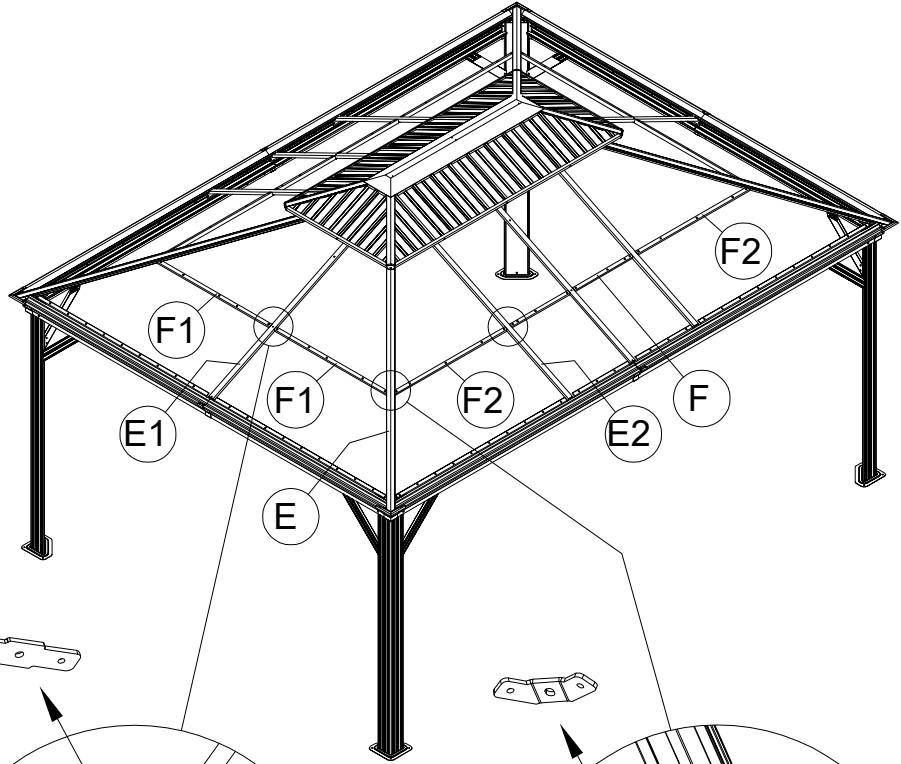
F1 4x

F2 4x

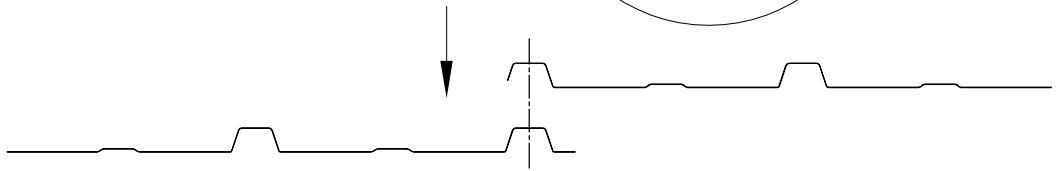
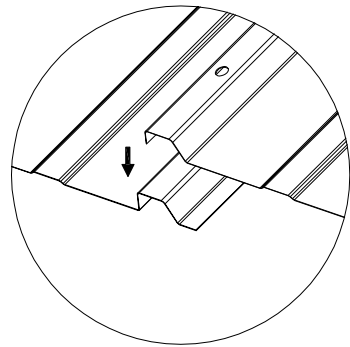
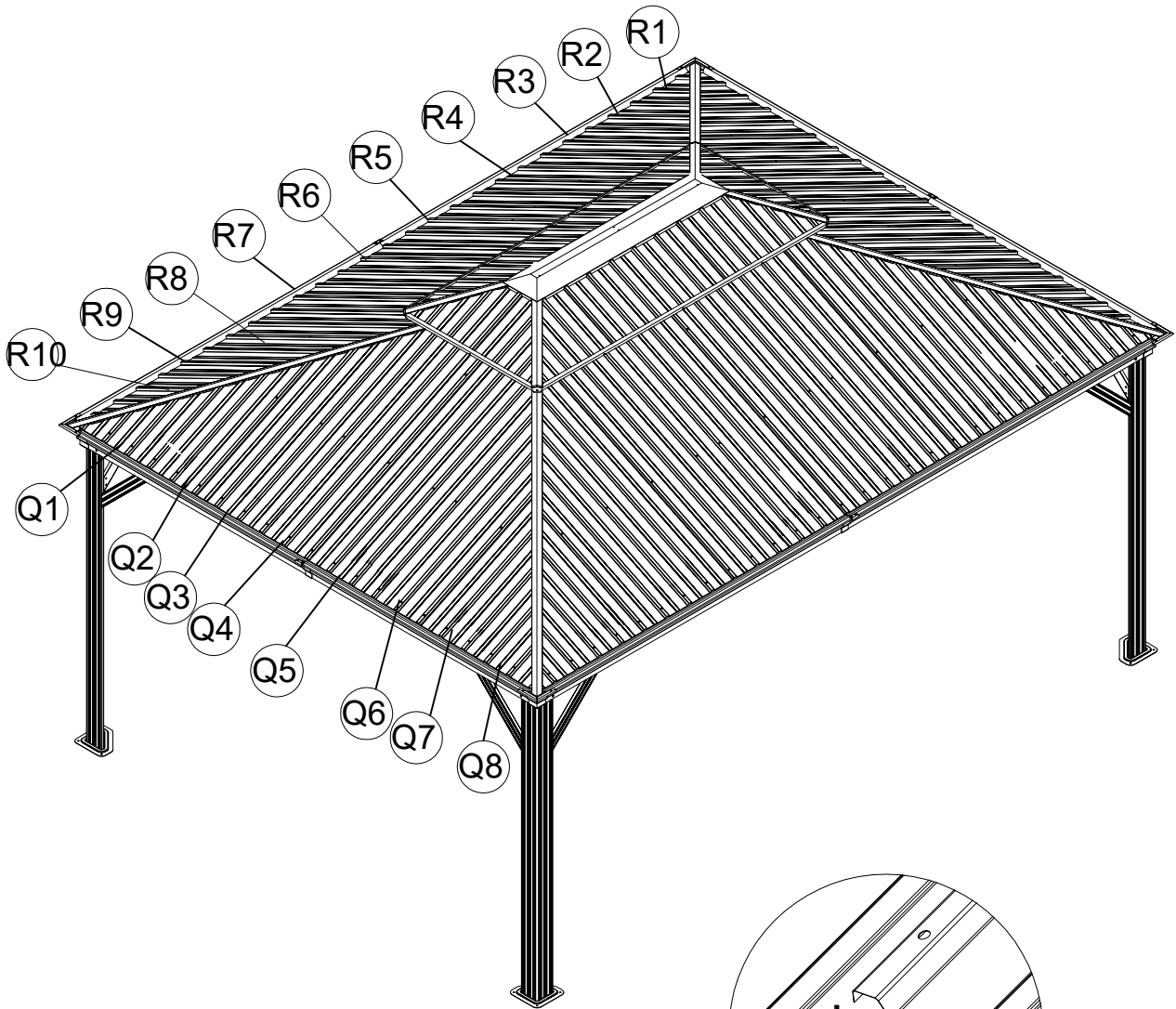
W 4x

W1 6x

1 30x M6x15

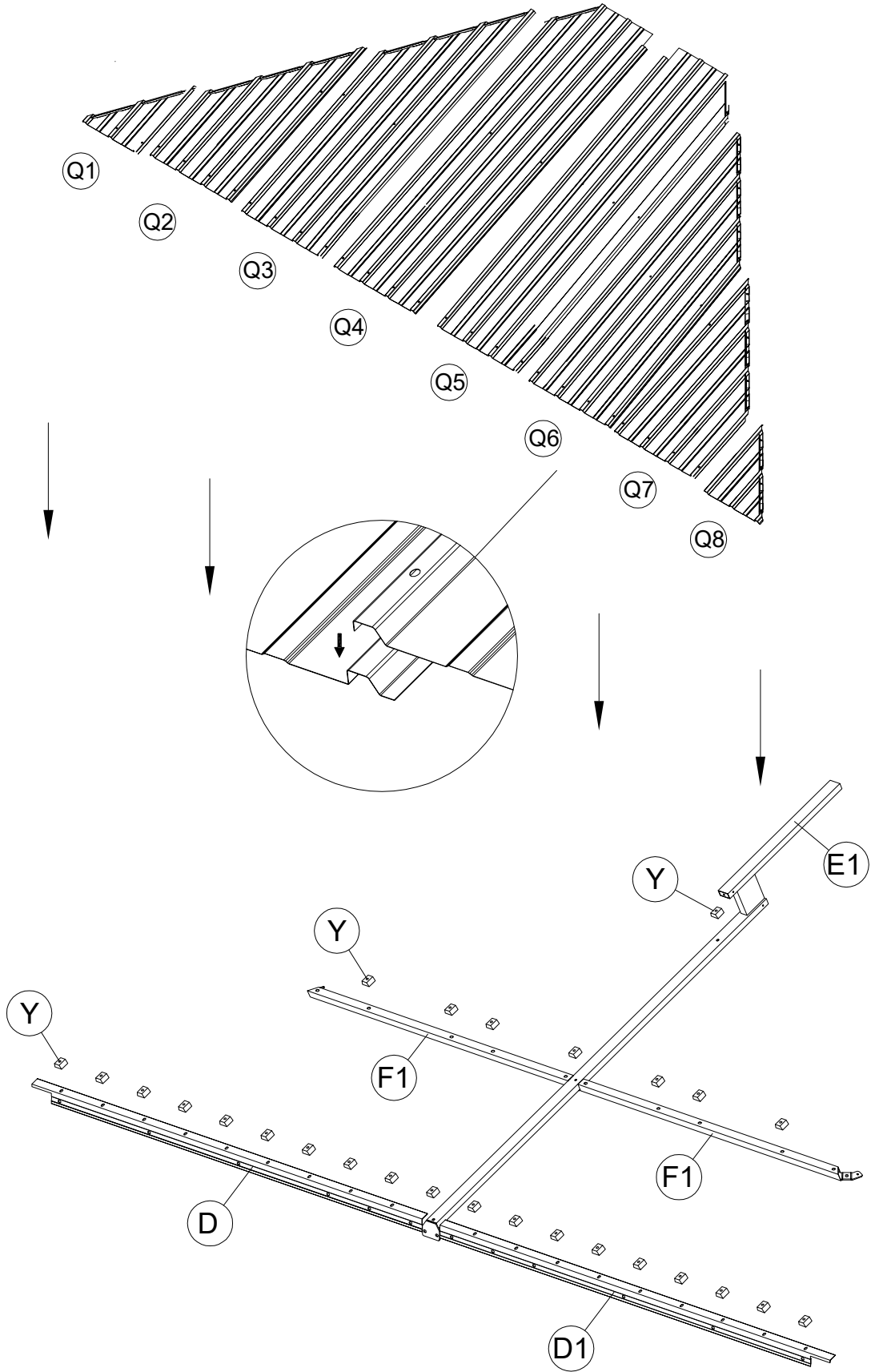


<17>

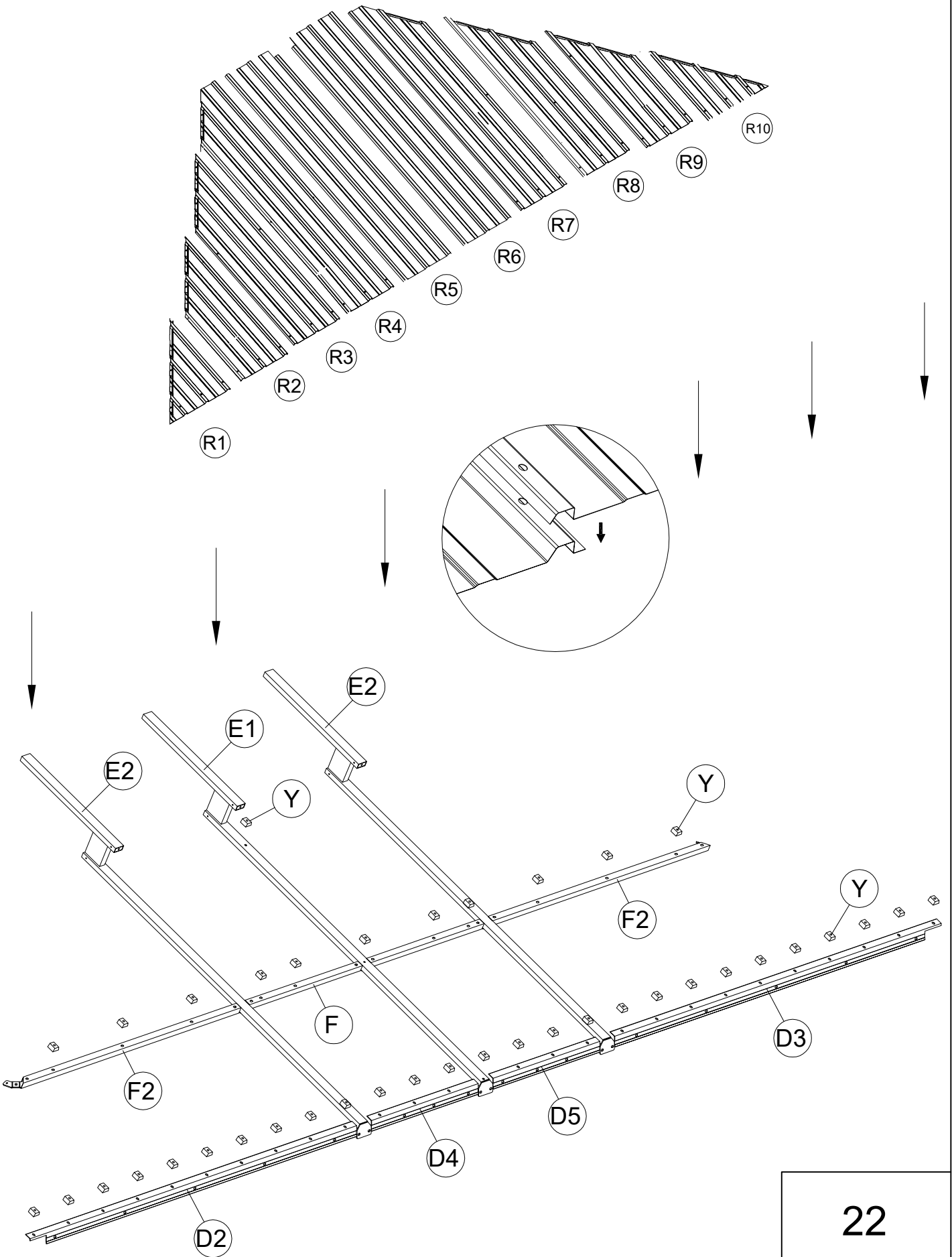


20

<18>



<19>





<20>

Y 140x



2 M6x23
88x



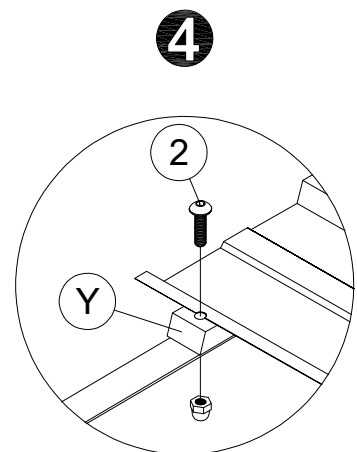
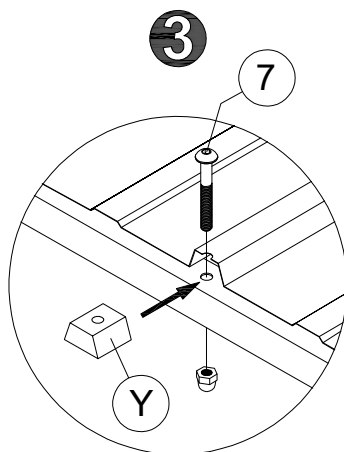
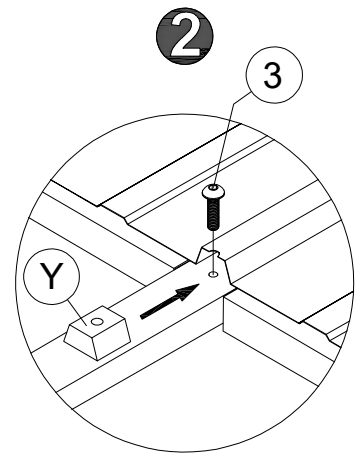
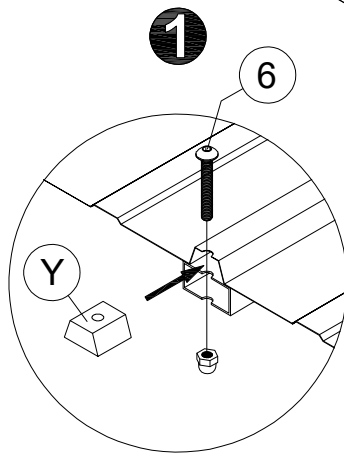
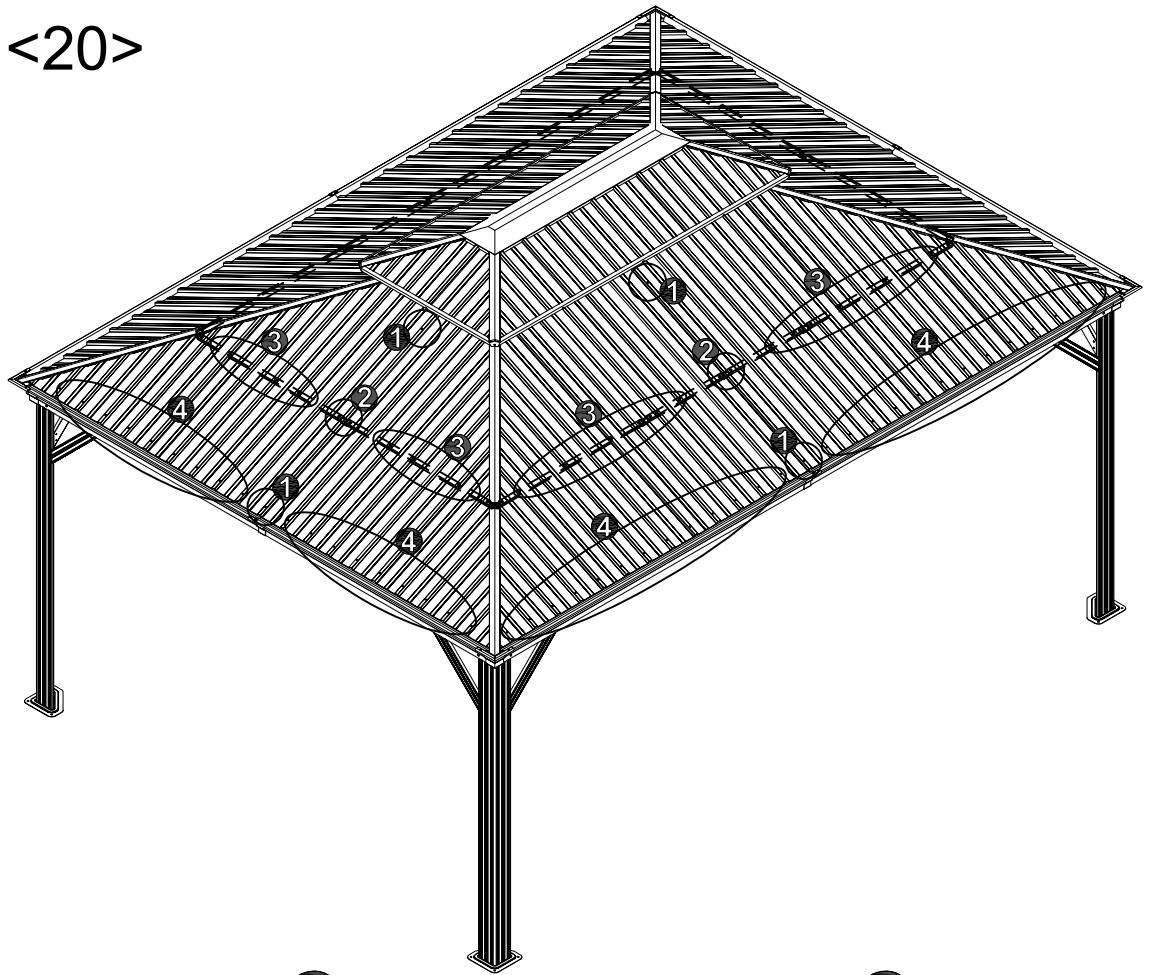
6 M6x42
8x



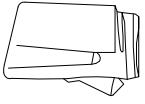
7 M6x47
40x



3 M6x25
4x

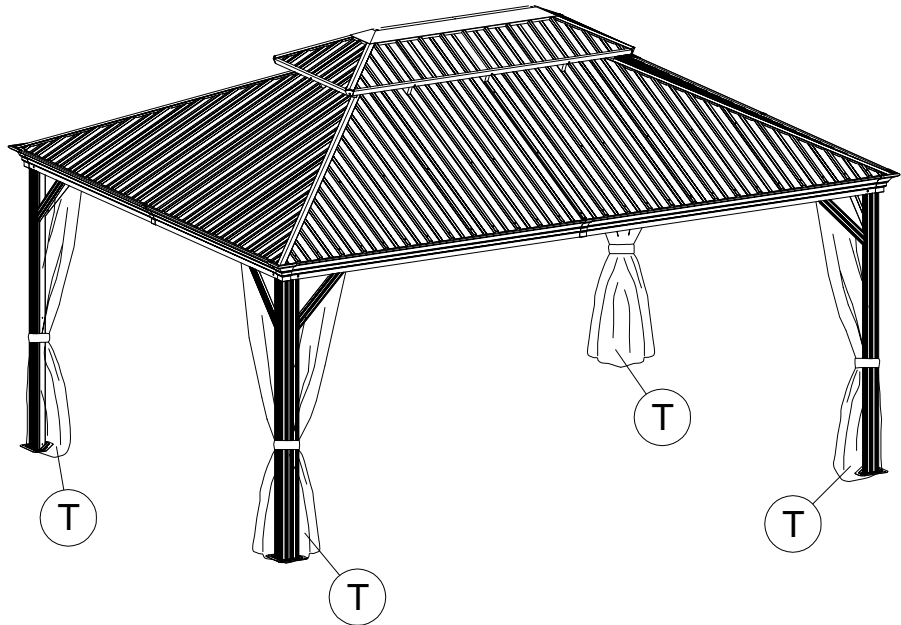
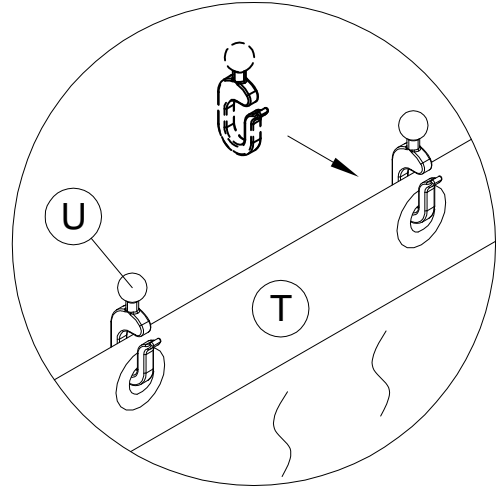
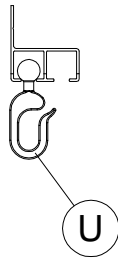


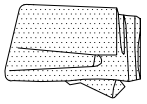
23



<21>

T 4x



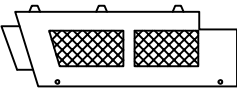


<22>

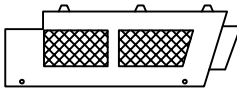
T1 4x



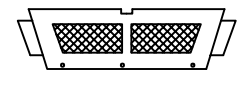
9 12x



V1 2x



V2 2x

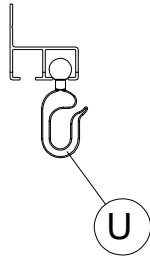


V3 2x

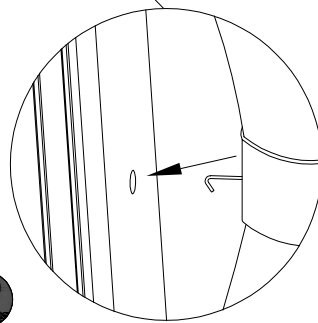
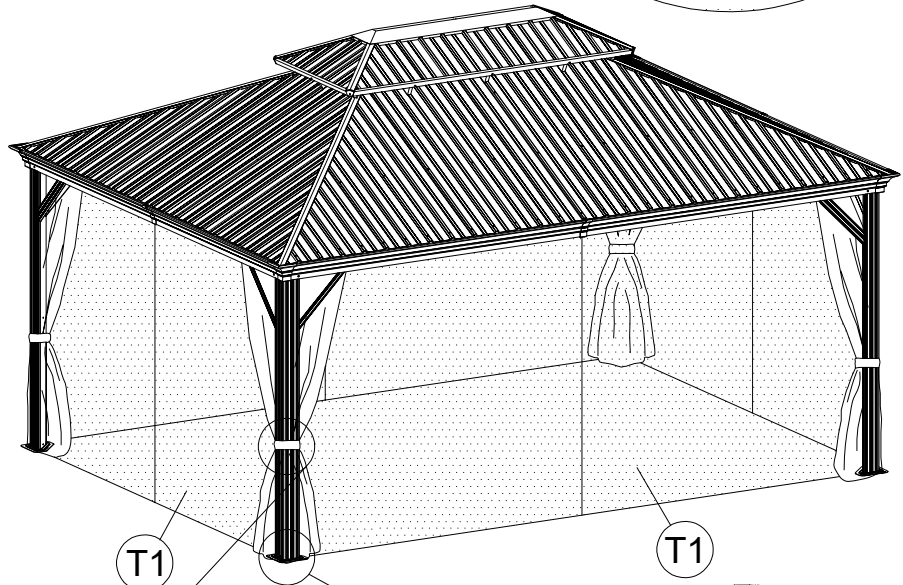
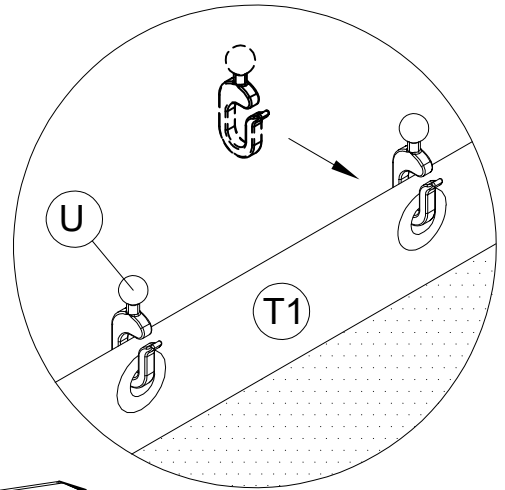


M6x10

11 12x

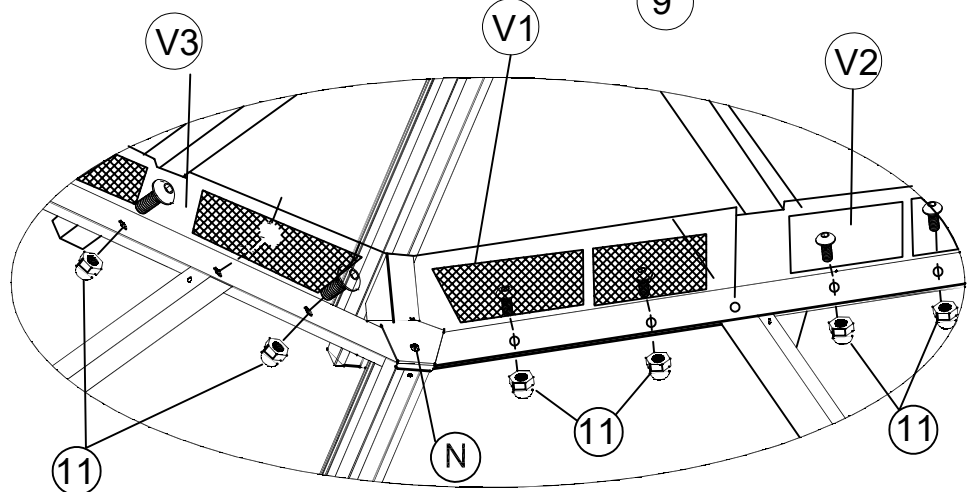
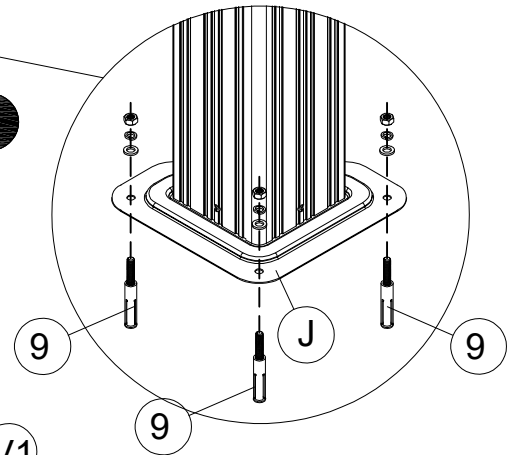


3



2

1



25

Box A		Box B		Box C	
Part #	Qty	C3	2	⑦	40
A	4	K	4	⑧	16
B	2	K1	4	⑨	12
B1	2	J	4	⑩	1
C	2	N	8	⑪	12
C1	2	U	128	Box D	
D	2	Y	140		
D1	2	Z	72	Part #	Qty
D2	2	Z1	16	Q1	1
D3	2	W	4	Q2	1
D4	2	W1	6	Q3	1
D5	2	V	4	Q4	1
F	2	V1	2	Q5	1
F1	4	V2	2	Q6	1
F2	4	V3	2	Q7	1
G1	2	Box C		Q8	1
G3	2				
T	4	Part #	Qty	R1	1
H	4	E1	2	R2	1
H1	4	E2	4	R3	1
Box B		P	4	R4	1
		L	1	R5	1
Part #	Qty	M	1	R6	1
E	4	T1	4	R7	1
E1	2	①	274	R8	1
B2	2	②	88	R9	1
B3	2	③	5	R10	1
G2	2	④	24	S	1
G4	2	⑤	2	SA	1
C2	2	⑥	8	S1	1
				S2	1

Box D		Box E			
S3	1				
S4	1	S4	1		
S5	1	S5	1		
S6	1	S6	1		
Box E					
Part #	Qty				
Q1	1				
Q2	1				
Q3	1				
Q4	1				
Q5	1				
Q6	1				
Q7	1				
Q8	1				
R1	1				
R2	1				
R3	1				
R4	1				
R5	1				
R6	1				
R7	1				
R8	1				
R9	1				
R10	1				
S	1				
SA	1				
S1	1				
S2	1				
S3	1				